

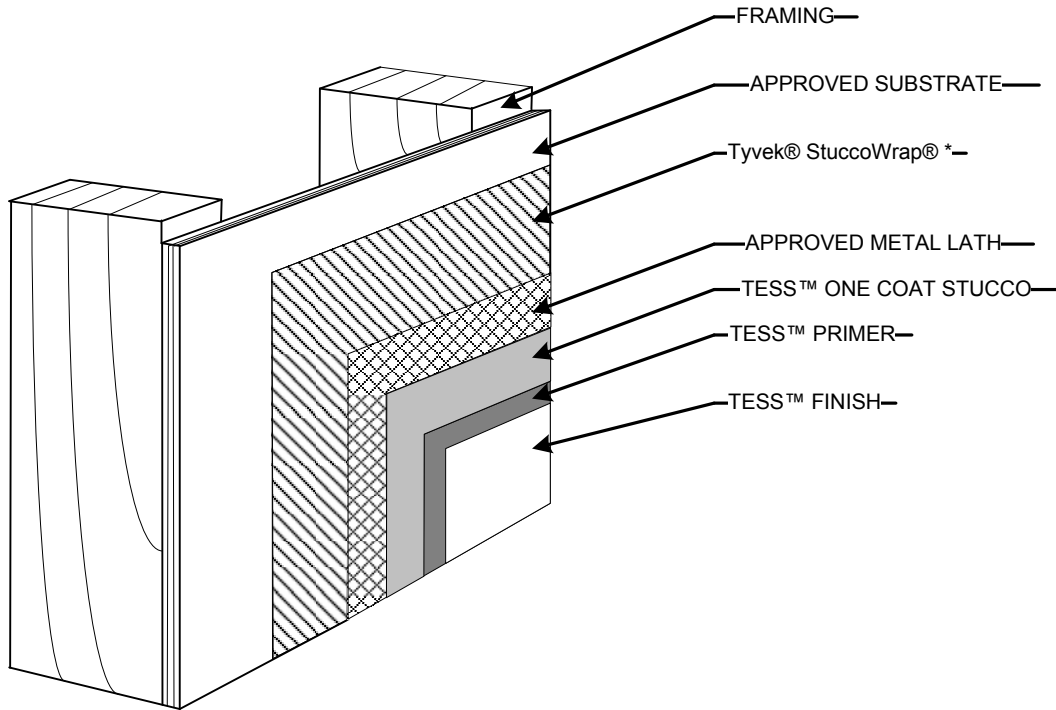


**TESS** Thinset Exterior Surfacing System  
*The Next Generation in Architectural Finishes*

# TESS™ ONE COAT STUCCO SYSTEM DETAILS

## TYPICAL ONE COAT STUCCO APPLICATION OVER OPEN WOOD FRAMING

DETAIL 1



\* REFER TO DuPont™ Tyvek® SPECIFICATIONS FOR:  
WEATHER BARRIER COMMERCIAL INSTALLATION GUIDELINES  
 AND  
WATER-RESISTIVE BARRIERS INSTALLATION GUIDELINES

DuPont™, Tyvek® and Tyvek® StuccoWrap® are registered trademarks or trademarks of DuPont or its affiliates.

**NOTICE AND DISCLAIMER:** These drawings and comments are for general information only. Formulated Solutions LLC (FS) specifically disclaims any design or construction intent of responsibility for their use. The architecture, design and engineering of the project are the responsibility of the project's design professionals.

These drawings are not intended as an exclusive method for achieving a desired outcome or performance. The project design professional, in its sole discretion, determines whether this detail or a functionally equivalent alternative is best suited for the project. This detail is for guidance only and is subject to change without notice.

FS's products are intended for use by qualified professional contractors, not D-I-Y consumers and handymen. FS's products must be specified by a qualified design professional, general contractor or builder as an element of a larger construction project. It must be installed in accordance with FS's instructions, the designer's specifications and local building code.

Improper use of FS's products or use as part of an improperly designed or constructed larger assembly or building may result in serious damage to this product, and to the structure of the building or its components of which it is a part.

Formulated Solutions LLC 25-44 BOROUGH PLACE WOODSIDE, NY 11377 (718) 267-6380 P (718) 204-6013 F [www.tessfinishes.com](http://www.tessfinishes.com)

© 2008 Formulated Solutions LLC. TESS™ is a trademark of Formulated Solutions LLC APPLICATION TYPE ONE COAT STUCCO NO: OCS1001 REV A, UPDATED: 5/5/2009

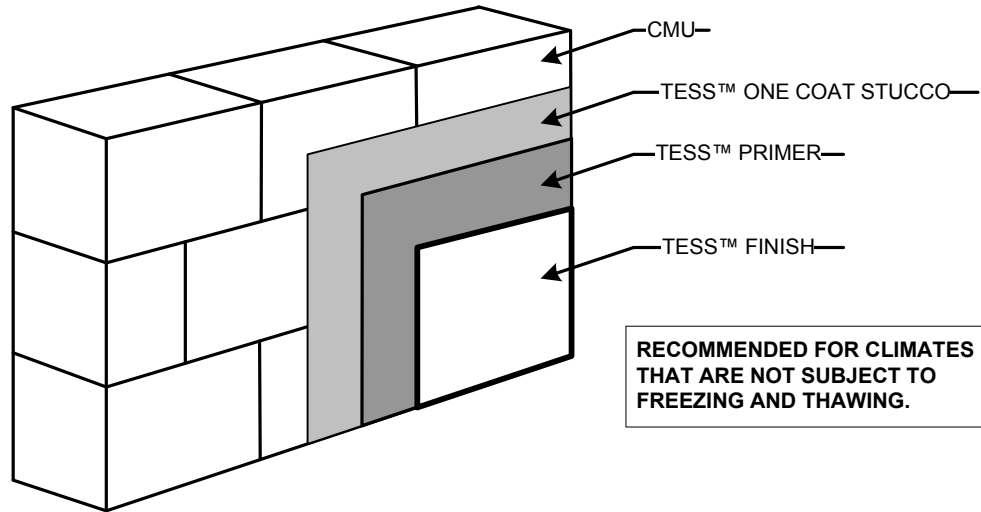


# TESS™ ONE COAT STUCCO SYSTEM DETAILS

## TESS ONE COAT STUCCO OVER CMU

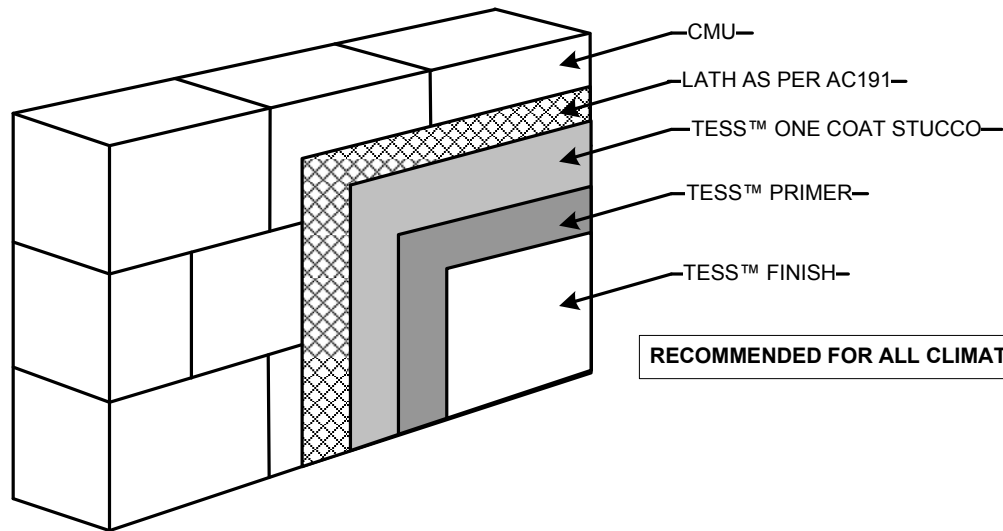
TESS Thinset Exterior Surfacing System  
The Next Generation in Architectural Finishes

DETAIL 2



RECOMMENDED FOR CLIMATES THAT ARE NOT SUBJECT TO FREEZING AND THAWING.

## TESS ONE COAT STUCCO OVER CMU WITH LATHE



RECOMMENDED FOR ALL CLIMATES.



\* REFER TO DuPont™ Tyvek® SPECIFICATIONS FOR:  
WEATHER BARRIER COMMERCIAL INSTALLATION GUIDELINES  
AND  
WATER-RESISTIVE BARRIERS INSTALLATION GUIDELINES

DuPont™, Tyvek® and Tyvek® StuccoWrap® are registered trademarks or trademarks of DuPont or its affiliates.

**NOTICE AND DISCLAIMER:** These drawings and comments are for general information only. Formulated Solutions LLC (FS) specifically disclaims any design or construction intent of responsibility for their use. The architecture, design and engineering of the project are the responsibility of the project's design professionals.

These drawings are not intended as an exclusive method for achieving a desired outcome or performance. The project design professional, in its sole discretion, determines whether this detail or a functionally equivalent alternative is best suited for the project. This detail is for guidance only and is subject to change without notice.

FS's products are intended for use by qualified professional contractors, not D-I-Y consumers and handymen. FS's products must be specified by a qualified design professional, general contractor or builder as an element of a larger construction project. It must be installed in accordance with FS's instructions, the designer's specifications and local building code.

Improper use of FS's products or use as part of an improperly designed or constructed larger assembly or building may result in serious damage to this product, and to the structure of the building or its components of which it is a part.

Formulated Solutions LLC 25-44 BOROUGH PLACE WOODSIDE, NY 11377 (718) 267-6380 P (718) 204-6013 F [www.tessfinishes.com](http://www.tessfinishes.com)

© 2008 Formulated Solutions LLC. TESS™ is a trademark of Formulated Solutions LLC APPLICATION TYPE ONE COAT STUCCO NO: OCS1001 REV A, UPDATED: 5/5/2009

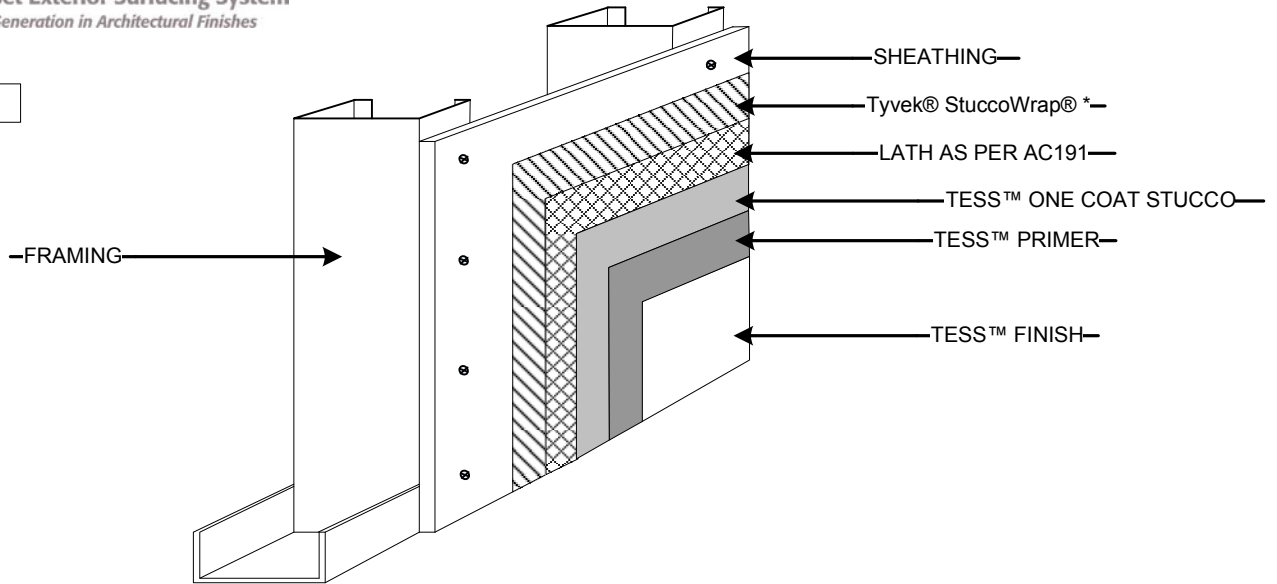


**TESS** Thinset Exterior Surfacing System  
The Next Generation in Architectural Finishes

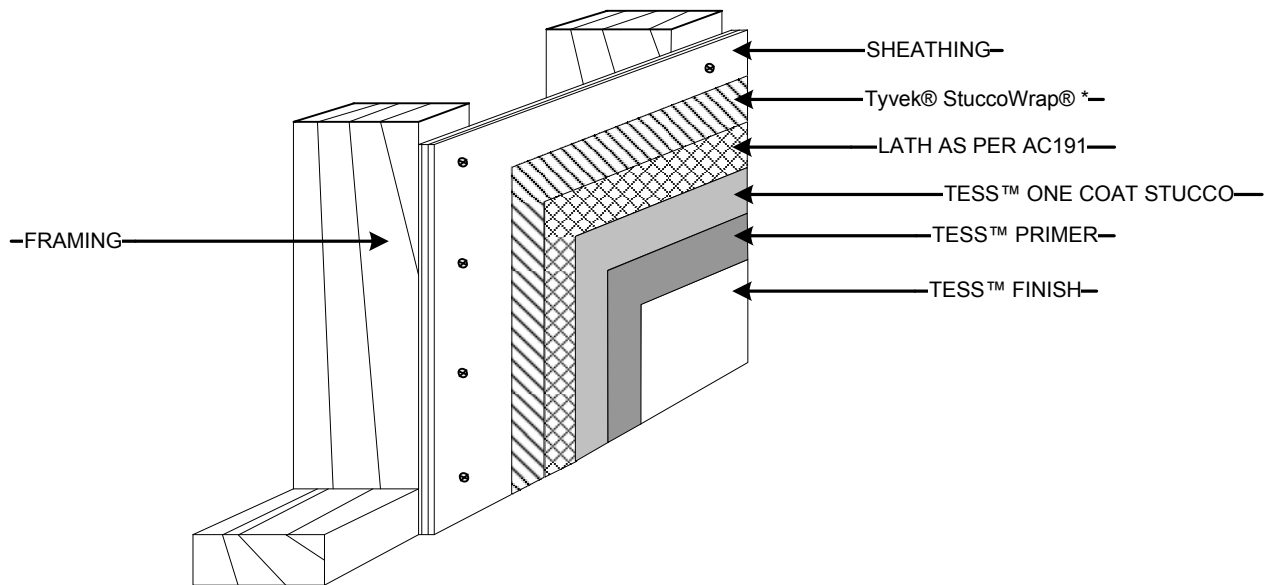
# TESS™ ONE COAT STUCCO SYSTEM DETAILS

## TESS ONE COAT STUCCO OVER STEEL FRAME

DETAIL 3



## TESS ONE COAT STUCCO OVER WOOD FRAME



\* REFER TO DuPont™ Tyvek® SPECIFICATIONS FOR:  
WEATHER BARRIER COMMERCIAL INSTALLATION GUIDELINES  
AND  
WATER-RESISTIVE BARRIERS INSTALLATION GUIDELINES

DuPont™, Tyvek® and Tyvek® StuccoWrap® are registered trademarks or trademarks of DuPont or its affiliates.

**NOTICE AND DISCLAIMER:** These drawings and comments are for general information only. Formulated Solutions LLC (FS) specifically disclaims any design or construction intent of responsibility for their use. The architecture, design and engineering of the project are the responsibility of the project's design professionals.

These drawings are not intended as an exclusive method for achieving a desired outcome or performance. The project design professional, in its sole discretion, determines whether this detail or a functionally equivalent alternative is best suited for the project. This detail is for guidance only and is subject to change without notice.

FS's products are intended for use by qualified professional contractors, not D-I-Y consumers and handymen. FS's products must be specified by a qualified design professional, general contractor or builder as an element of a larger construction project. It must be installed in accordance with FS's instructions, the designer's specifications and local building code.

Improper use of FS's products or use as part of an improperly designed or constructed larger assembly or building may result in serious damage to this product, and to the structure of the building or its components of which it is a part.

Formulated Solutions LLC 25-44 BOROUGH PLACE WOODSIDE, NY 11377 (718) 267-6380 P (718) 204-6013 F [www.tessfinishes.com](http://www.tessfinishes.com)

© 2008 Formulated Solutions LLC. TESS™ is a trademark of Formulated Solutions LLC APPLICATION TYPE ONE COAT STUCCO NO: OCS1001 REV A, UPDATED: 5/5/2009

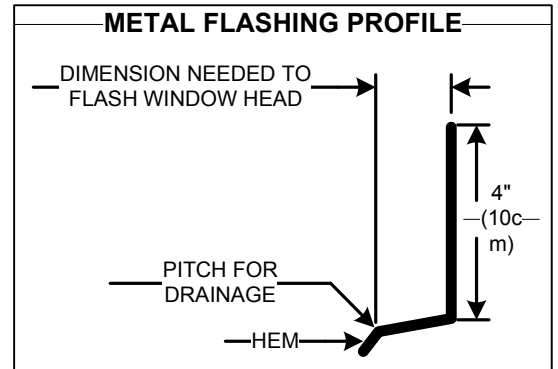
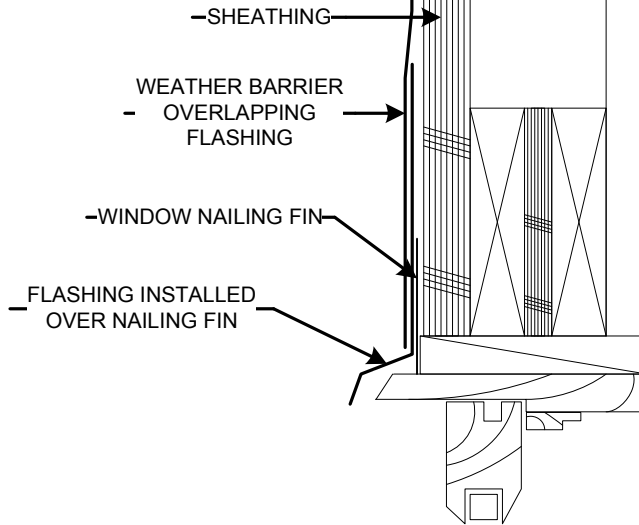


# TESS™ ONE COAT STUCCO SYSTEM DETAILS

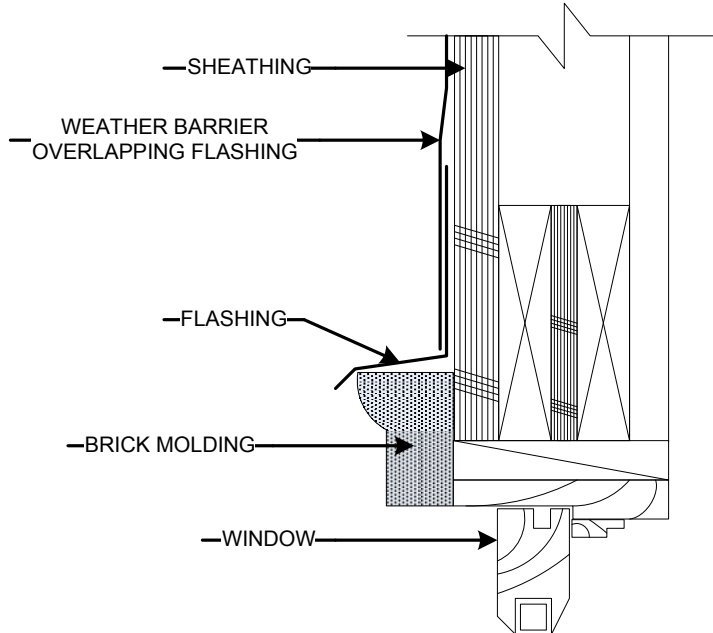
## WINDOW WITH NAILING FIN

TESS Thinset Exterior Surfacing System  
The Next Generation in Architectural Finishes

DETAIL 4



## WOOD WINDOW WITH BRICK MOLDING



**NOTE: LENGTH OF THE FLASHING IS DEPENDS ON THE TYPE OF WINDOW USED. ILLUSTRATIONS ABOVE DEPICT TWO TYPES OF WINDOWS. FLASHING SHOULD BE INSTALLED AS ILLUSTRATED.**



DuPont™, Tyvek® and Tyvek® StuccoWrap® are registered trademarks or trademarks of DuPont or its affiliates.

**NOTICE AND DISCLAIMER:** These drawings and comments are for general information only. Formulated Solutions LLC (FS) specifically disclaims any design or construction intent of responsibility for their use. The architecture, design and engineering of the project are the responsibility of the project's design professionals.

These drawings are not intended as an exclusive method for achieving a desired outcome or performance. The project design professional, in its sole discretion, determines whether this detail or a functionally equivalent alternative is best suited for the project. This detail is for guidance only and is subject to change without notice.

FS's products are intended for use by qualified professional contractors, not D-I-Y consumers and handymen. FS's products must be specified by a qualified design professional, general contractor or builder as an element of a larger construction project. It must be installed in accordance with FS's instructions, the designer's specifications and local building code.

Improper use of FS's products or use as part of an improperly designed or constructed larger assembly or building may result in serious damage to this product, and to the structure of the building or its components of which it is a part.

Formulated Solutions LLC 25-44 BOROUGH PLACE WOODSIDE, NY 11377 (718) 267-6380 P (718) 204-6013 F [www.tessfinishes.com](http://www.tessfinishes.com)

© 2008 Formulated Solutions LLC. TESS™ is a trademark of Formulated Solutions LLC APPLICATION TYPE ONE COAT STUCCO NO: OCS1001 REV A, UPDATED: 5/5/2009



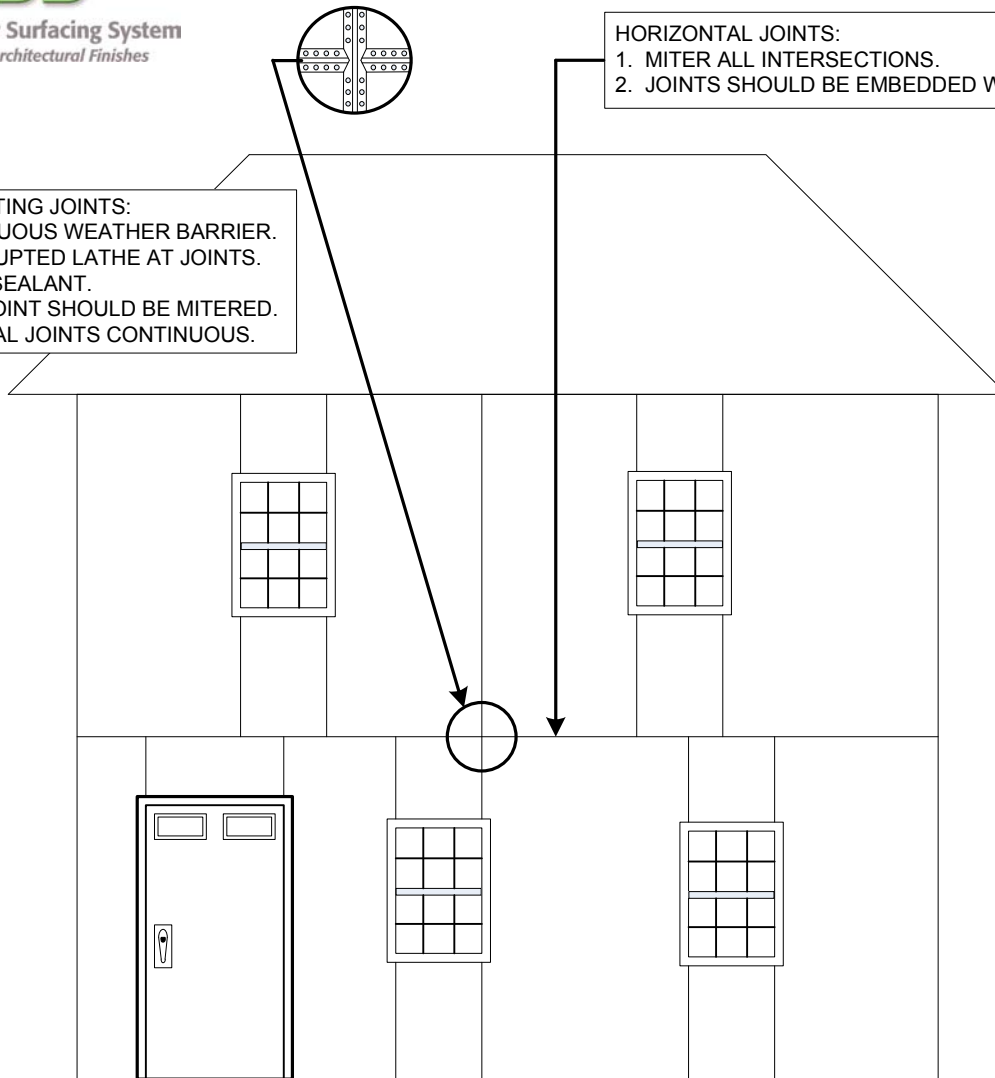
# TESS™ ONE COAT STUCCO SYSTEM DETAILS

TESS Thinset Exterior Surfacing System  
The Next Generation in Architectural Finishes

## DETAIL 5

- INTERSECTING JOINTS:
1. CONTINUOUS WEATHER BARRIER.
  2. INTERRUPTED LATHE AT JOINTS.
  3. APPLY SEALANT.
  4. EACH JOINT SHOULD BE MITERED.
  5. VERTICAL JOINTS CONTINUOUS.

- HORIZONTAL JOINTS:
1. MITER ALL INTERSECTIONS.
  2. JOINTS SHOULD BE EMBEDDED WITH SEALANT.



TYPICAL EXPANSION AND CONTROL JOINT LOCATIONS

### NOTES:

1. JOINTS CONSTRUCTED ACCORDING TO ASTM C926 AND C1063.
2. PANEL SIZE BETWEEN EXPANSION JOINTS IS 144 SQ.FT. MAXIMUM.
3. NO DIMENSION SHOULD EXCEED 18 FEET AND NO DIMENSION EXCEEDING ANOTHER BY MORE THAN 2 ½ TIMES.



Formulated Solutions LLC  
Next Generation Building Material for Today's Construction Industry

DuPont™, Tyvek® and Tyvek® StuccoWrap® are registered trademarks or trademarks of DuPont or its affiliates.

**NOTICE AND DISCLAIMER:** These drawings and comments are for general information only. Formulated Solutions LLC (FS) specifically disclaims any design or construction intent of responsibility for their use. The architecture, design and engineering of the project are the responsibility of the project's design professionals.

These drawings are not intended as an exclusive method for achieving a desired outcome or performance. The project design professional, in its sole discretion, determines whether this detail or a functionally equivalent alternative is best suited for the project. This detail is for guidance only and is subject to change without notice.

FS's products are intended for use by qualified professional contractors, not D-I-Y consumers and handymen. FS's products must be specified by a qualified design professional, general contractor or builder as an element of a larger construction project. It must be installed in accordance with FS's instructions, the designer's specifications and local building code.

Improper use of FS's products or use as part of an improperly designed or constructed larger assembly or building may result in serious damage to this product, and to the structure of the building or its components of which it is a part.

Formulated Solutions LLC 25-44 BOROUGH PLACE WOODSIDE, NY 11377 (718) 267-6380 P (718) 204-6013 F [www.tessfinishes.com](http://www.tessfinishes.com)

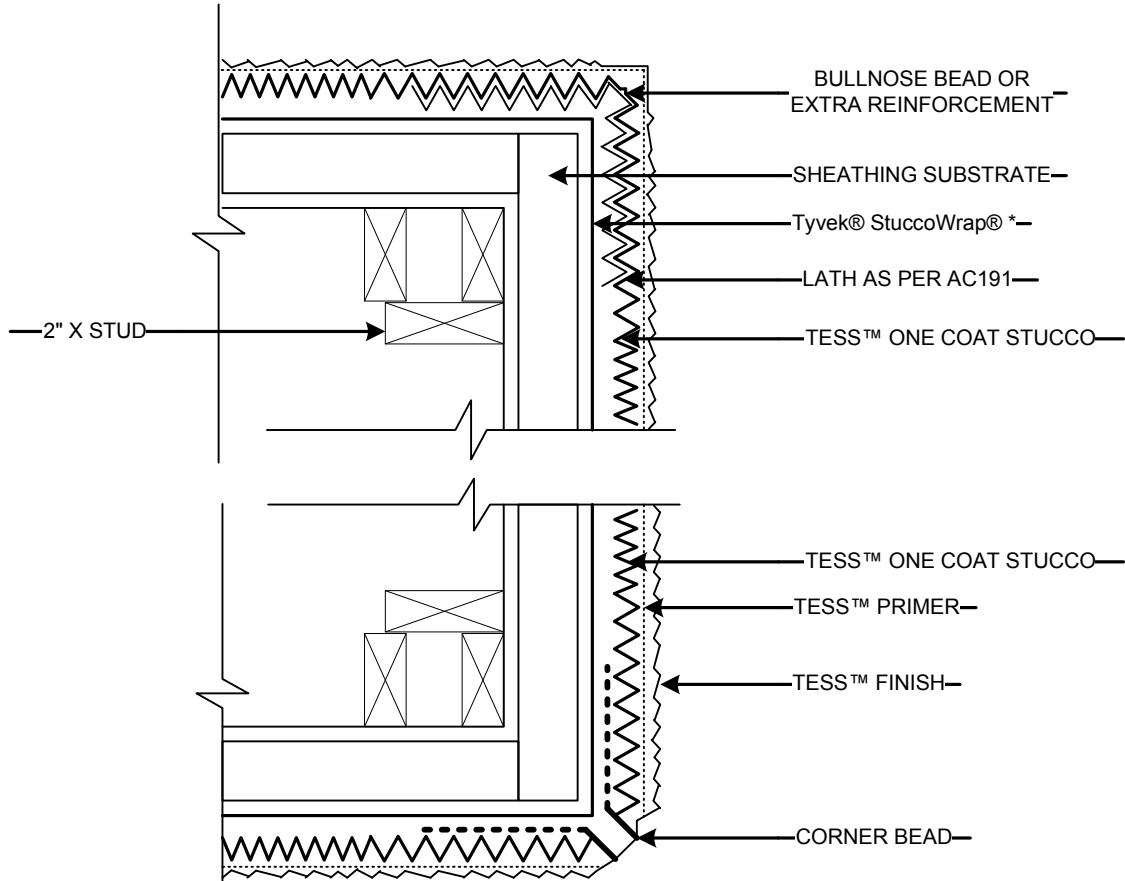
© 2008 Formulated Solutions LLC. TESS™ is a trademark of Formulated Solutions LLC APPLICATION TYPE ONE COAT STUCCO NO: OCS1001 REV A, UPDATED: 5/5/2009



**TESS** Thinset Exterior Surfacing System  
The Next Generation in Architectural Finishes

**TESS™ ONE COAT STUCCO SYSTEM DETAILS**  
**BULLNOSE CORNER – SQUARE CORNER**

**DETAIL 6**



\* REFER TO DuPont™ Tyvek® SPECIFICATIONS FOR:  
WEATHER BARRIER COMMERCIAL INSTALLATION GUIDELINES  
AND  
WATER-RESISTIVE BARRIERS INSTALLATION GUIDELINES

DuPont™, Tyvek® and Tyvek® StuccoWrap® are registered trademarks or trademarks of DuPont or its affiliates.

**NOTICE AND DISCLAIMER:** These drawings and comments are for general information only. Formulated Solutions LLC (FS) specifically disclaims any design or construction intent of responsibility for their use. The architecture, design and engineering of the project are the responsibility of the project's design professionals.

These drawings are not intended as an exclusive method for achieving a desired outcome or performance. The project design professional, in its sole discretion, determines whether this detail or a functionally equivalent alternative is best suited for the project. This detail is for guidance only and is subject to change without notice.

FS's products are intended for use by qualified professional contractors, not D-I-Y consumers and handymen. FS's products must be specified by a qualified design professional, general contractor or builder as an element of a larger construction project. It must be installed in accordance with FS's instructions, the designer's specifications and local building code.

Improper use of FS's products or use as part of an improperly designed or constructed larger assembly or building may result in serious damage to this product, and to the structure of the building or its components of which it is a part.

Formulated Solutions LLC 25-44 BOROUGH PLACE WOODSIDE, NY 11377 (718) 267-6380 P (718) 204-6013 F [www.tessfinishes.com](http://www.tessfinishes.com)

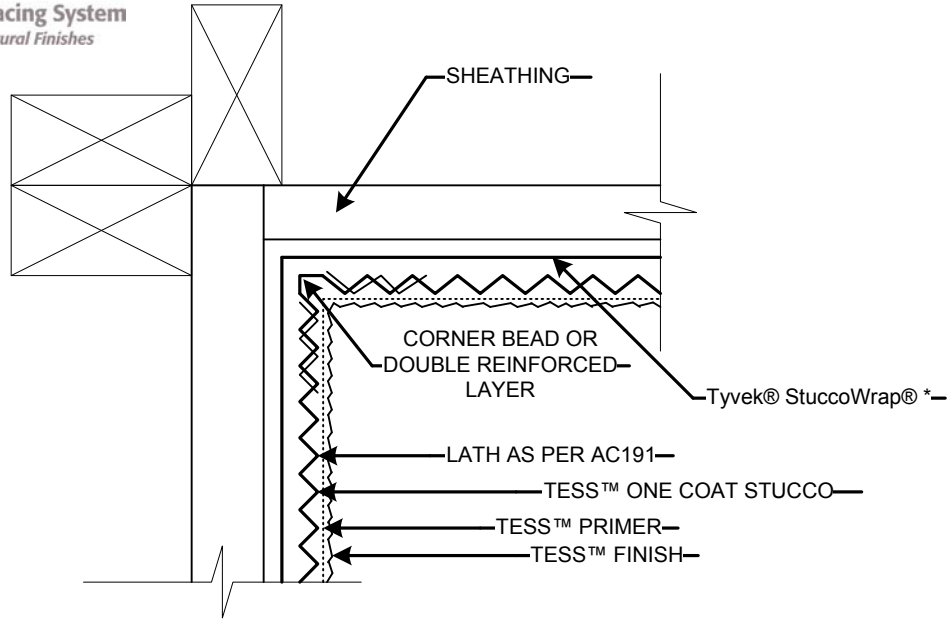
© 2008 Formulated Solutions LLC. TESS™ is a trademark of Formulated Solutions LLC APPLICATION TYPE ONE COAT STUCCO NO: OCS1001 REV A, UPDATED: 5/5/2009



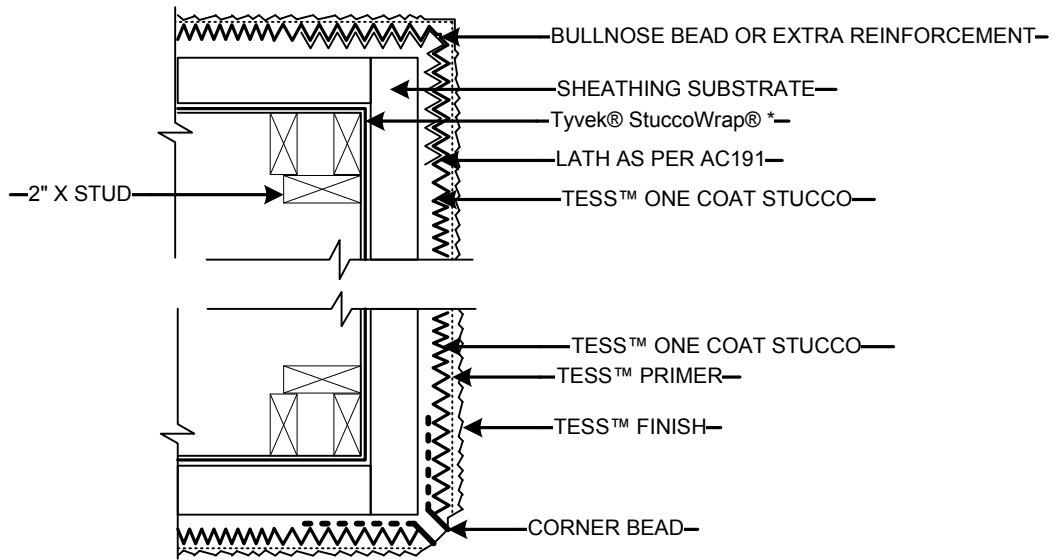
# TESS™ ONE COAT STUCCO SYSTEM DETAILS INSIDE CORNER

TESS Thinset Exterior Surfacing System  
The Next Generation in Architectural Finishes

DETAIL 6A



## BULLNOSE CORNER – SQUARE CORNER ON INSULATION BOARD



Formulated Solutions LLC  
Next Generation Building Material for Today's Construction Industry

\* REFER TO DuPont™ Tyvek® SPECIFICATIONS FOR:  
WEATHER BARRIER COMMERCIAL INSTALLATION GUIDELINES  
AND  
WATER-RESISTIVE BARRIERS INSTALLATION GUIDELINES

DuPont™, Tyvek® and Tyvek® StuccoWrap® are registered trademarks or trademarks of DuPont or its affiliates.

**NOTICE AND DISCLAIMER:** These drawings and comments are for general information only. Formulated Solutions LLC (FS) specifically disclaims any design or construction intent of responsibility for their use. The architecture, design and engineering of the project are the responsibility of the project's design professionals.

These drawings are not intended as an exclusive method for achieving a desired outcome or performance. The project design professional, in its sole discretion, determines whether this detail or a functionally equivalent alternative is best suited for the project. This detail is for guidance only and is subject to change without notice.

FS's products are intended for use by qualified professional contractors, not D-I-Y consumers and handymen. FS's products must be specified by a qualified design professional, general contractor or builder as an element of a larger construction project. It must be installed in accordance with FS's instructions, the designer's specifications and local building code.

Improper use of FS's products or use as part of an improperly designed or constructed larger assembly or building may result in serious damage to this product, and to the structure of the building or its components of which it is a part.

Formulated Solutions LLC 25-44 BOROUGH PLACE WOODSIDE, NY 11377 (718) 267-6380 P (718) 204-6013 F [www.tessfinishes.com](http://www.tessfinishes.com)

© 2008 Formulated Solutions LLC. TESS™ is a trademark of Formulated Solutions LLC APPLICATION TYPE ONE COAT STUCCO NO: OCS1001 REV A, UPDATED: 5/5/2009

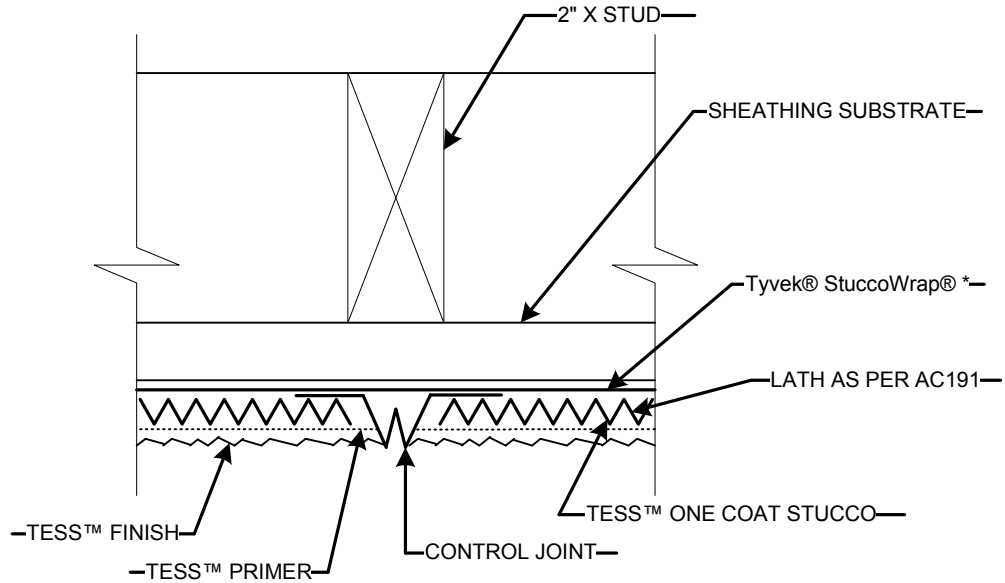


# TESS™ ONE COAT STUCCO SYSTEM DETAILS

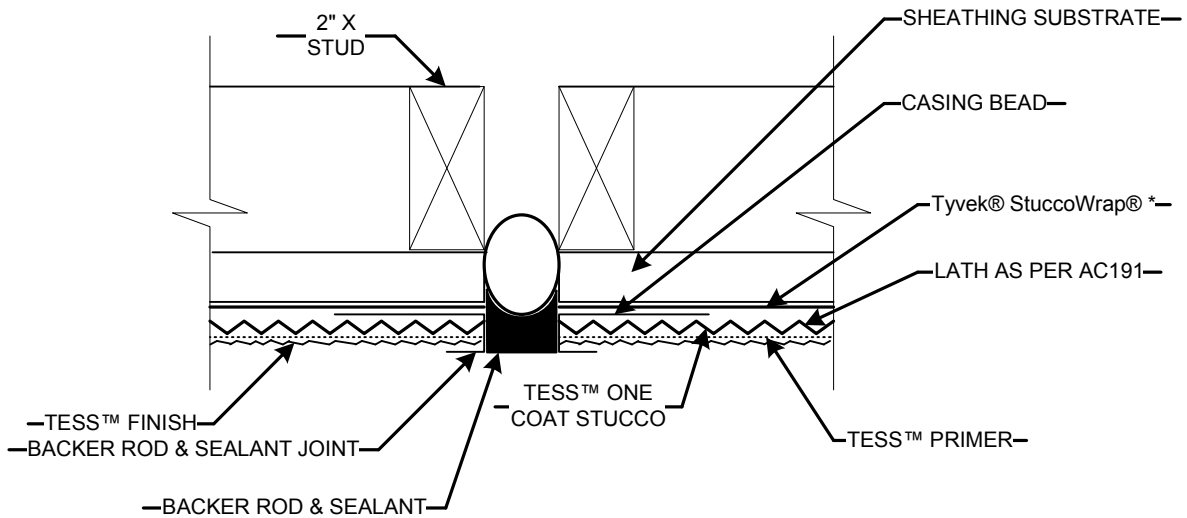
## CONTROL JOINT

TESS Thinset Exterior Surfacing System  
The Next Generation in Architectural Finishes

DETAIL 7



## EXPANSION JOINT



\* REFER TO DuPont™ Tyvek® SPECIFICATIONS FOR:  
WEATHER BARRIER COMMERCIAL INSTALLATION GUIDELINES  
AND  
WATER-RESISTIVE BARRIERS INSTALLATION GUIDELINES

DuPont™, Tyvek® and Tyvek® StuccoWrap® are registered trademarks or trademarks of DuPont or its affiliates.

**NOTICE AND DISCLAIMER:** These drawings and comments are for general information only. Formulated Solutions LLC (FS) specifically disclaims any design or construction intent of responsibility for their use. The architecture, design and engineering of the project are the responsibility of the project's design professionals.

These drawings are not intended as an exclusive method for achieving a desired outcome or performance. The project design professional, in its sole discretion, determines whether this detail or a functionally equivalent alternative is best suited for the project. This detail is for guidance only and is subject to change without notice.

FS's products are intended for use by qualified professional contractors, not D-I-Y consumers and handymen. FS's products must be specified by a qualified design professional, general contractor or builder as an element of a larger construction project. It must be installed in accordance with FS's instructions, the designer's specifications and local building code.

Improper use of FS's products or use as part of an improperly designed or constructed larger assembly or building may result in serious damage to this product, and to the structure of the building or its components of which it is a part.

Formulated Solutions LLC 25-44 BOROUGH PLACE WOODSIDE, NY 11377 (718) 267-6380 P (718) 204-6013 F [www.tessfinishes.com](http://www.tessfinishes.com)

© 2008 Formulated Solutions LLC. TESS™ is a trademark of Formulated Solutions LLC APPLICATION TYPE ONE COAT STUCCO NO: OCS1001 REV A, UPDATED: 5/5/2009

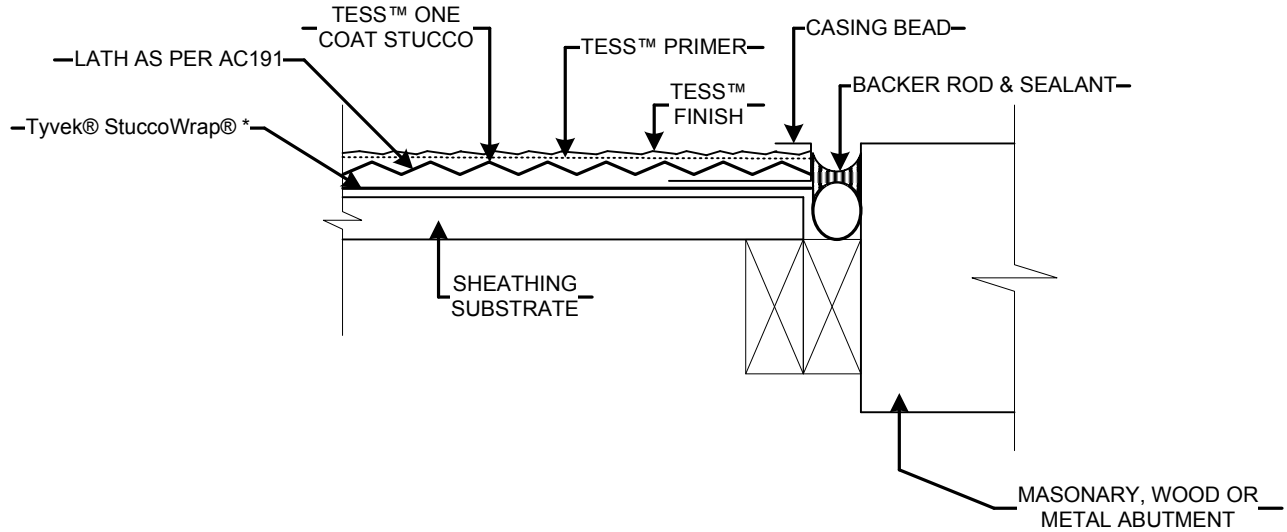


**TESS** Thinset Exterior Surfacing System  
The Next Generation in Architectural Finishes

# TESS™ ONE COAT STUCCO SYSTEM DETAILS

## PLASTER GROUND DETAIL

DETAIL 7A



\* REFER TO DuPont™ Tyvek® SPECIFICATIONS FOR:  
WEATHER BARRIER COMMERCIAL INSTALLATION GUIDELINES  
AND  
WATER-RESISTIVE BARRIERS INSTALLATION GUIDELINES

DuPont™, Tyvek® and Tyvek® StuccoWrap® are registered trademarks or trademarks of DuPont or its affiliates.

**NOTICE AND DISCLAIMER:** These drawings and comments are for general information only. Formulated Solutions LLC (FS) specifically disclaims any design or construction intent of responsibility for their use. The architecture, design and engineering of the project are the responsibility of the project's design professionals.

These drawings are not intended as an exclusive method for achieving a desired outcome or performance. The project design professional, in its sole discretion, determines whether this detail or a functionally equivalent alternative is best suited for the project. This detail is for guidance only and is subject to change without notice.

FS's products are intended for use by qualified professional contractors, not D-I-Y consumers and handymen. FS's products must be specified by a qualified design professional, general contractor or builder as an element of a larger construction project. It must be installed in accordance with FS's instructions, the designer's specifications and local building code.

Improper use of FS's products or use as part of an improperly designed or constructed larger assembly or building may result in serious damage to this product, and to the structure of the building or its components of which it is a part.

Formulated Solutions LLC 25-44 BOROUGH PLACE WOODSIDE, NY 11377 (718) 267-6380 P (718) 204-6013 F [www.tessfinishes.com](http://www.tessfinishes.com)

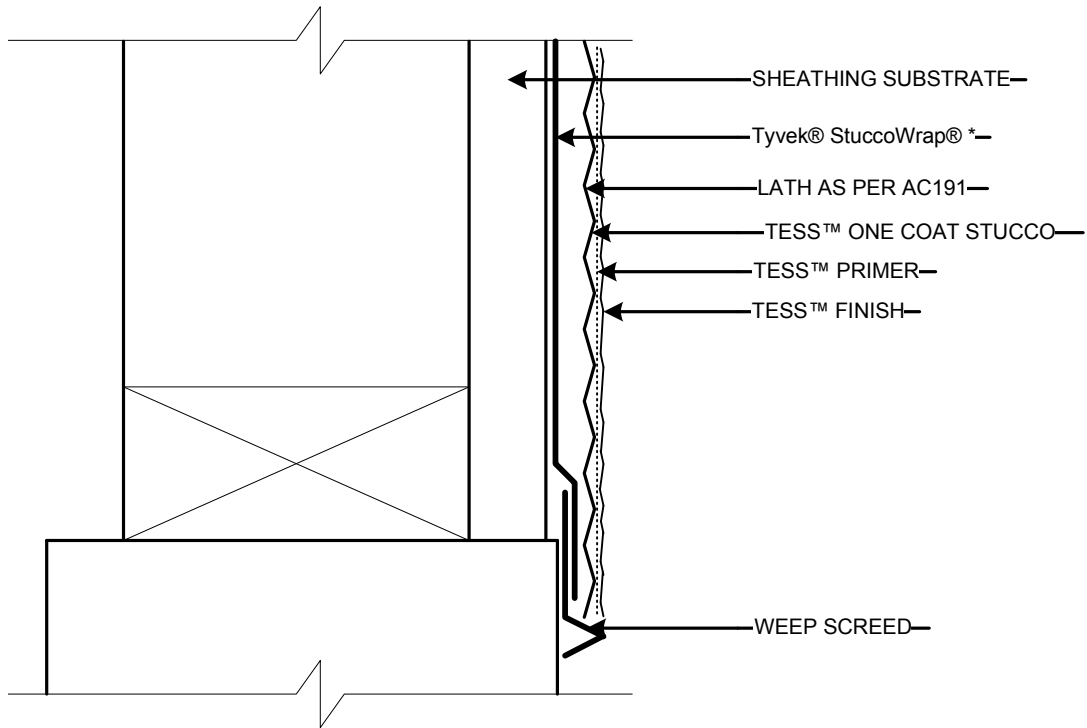
© 2008 Formulated Solutions LLC. TESS™ is a trademark of Formulated Solutions LLC APPLICATION TYPE ONE COAT STUCCO NO: OCS1001 REV A, UPDATED: 5/5/2009



**TESS** Thinset Exterior Surfacing System  
*The Next Generation in Architectural Finishes*

**TESS™ ONE COAT STUCCO SYSTEM DETAILS**  
 —————TERMINATION AT SHEATHED FRAME BASE—————

**DETAIL 8**



\* REFER TO DuPont™ Tyvek® SPECIFICATIONS FOR:  
WEATHER BARRIER COMMERCIAL INSTALLATION GUIDELINES  
 AND  
WATER-RESISTIVE BARRIERS INSTALLATION GUIDELINES

DuPont™, Tyvek® and Tyvek® StuccoWrap® are registered trademarks or trademarks of DuPont or its affiliates.

**NOTICE AND DISCLAIMER:** These drawings and comments are for general information only. Formulated Solutions LLC (FS) specifically disclaims any design or construction intent or responsibility for their use. The architecture, design and engineering of the project are the responsibility of the project's design professionals.

These drawings are not intended as an exclusive method for achieving a desired outcome or performance. The project design professional, in its sole discretion, determines whether this detail or a functionally equivalent alternative is best suited for the project. This detail is for guidance only and is subject to change without notice.

FS's products are intended for use by qualified professional contractors, not D-I-Y consumers and handymen. FS's products must be specified by a qualified design professional, general contractor or builder as an element of a larger construction project. It must be installed in accordance with FS's instructions, the designer's specifications and local building code.

Improper use of FS's products or use as part of an improperly designed or constructed larger assembly or building may result in serious damage to this product, and to the structure of the building or its components of which it is a part.

Formulated Solutions LLC 25-44 BOROUGH PLACE WOODSIDE, NY 11377 (718) 267-6380 P (718) 204-6013 F [www.tessfinishes.com](http://www.tessfinishes.com)

© 2008 Formulated Solutions LLC. TESS™ is a trademark of Formulated Solutions LLC APPLICATION TYPE ONE COAT STUCCO NO: OCS1001 REV A, UPDATED: 5/5/2009

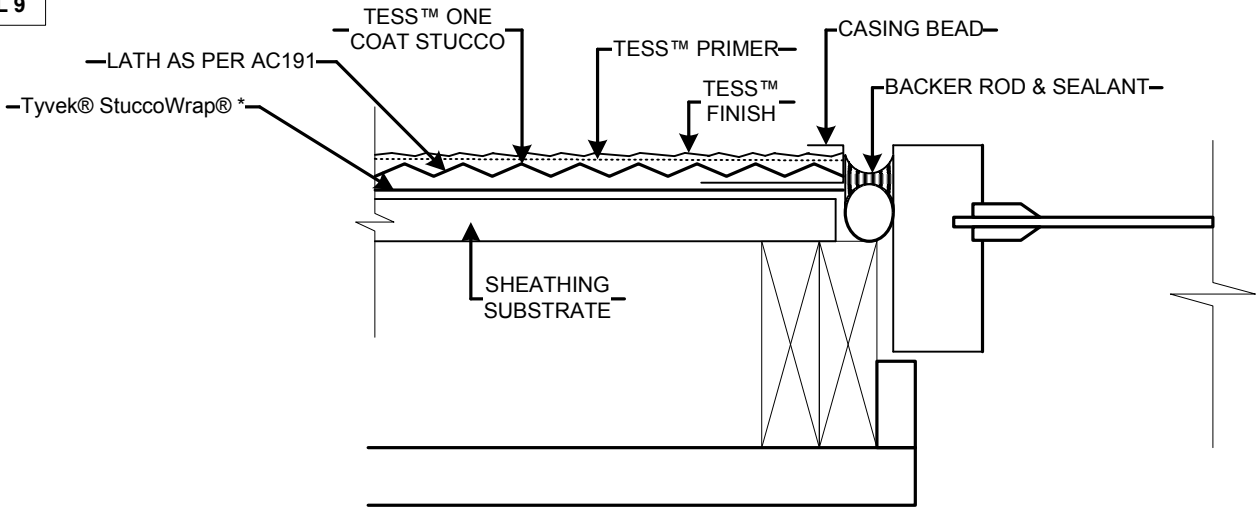


**TESS** Thinset Exterior Surfacing System  
The Next Generation in Architectural Finishes

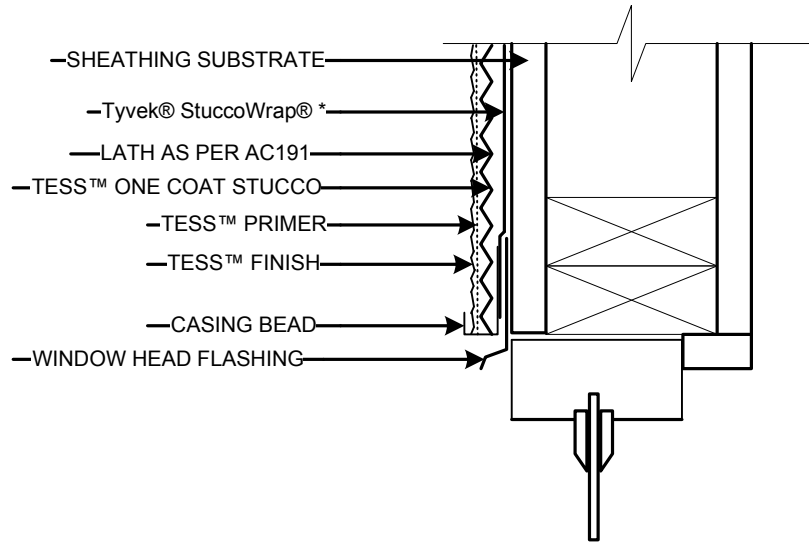
# TESS™ ONE COAT STUCCO SYSTEM DETAILS

## WINDOW JAMB WITH NO INSULATION BOARD

**DETAIL 9**



## WINDOW HEAD WITH NO INSULATION BOARD



\* REFER TO DuPont™ Tyvek® SPECIFICATIONS FOR:  
WEATHER BARRIER COMMERCIAL INSTALLATION GUIDELINES  
AND  
WATER-RESISTIVE BARRIERS INSTALLATION GUIDELINES

DuPont™, Tyvek® and Tyvek® StuccoWrap® are registered trademarks or trademarks of DuPont or its affiliates.

**NOTICE AND DISCLAIMER:** These drawings and comments are for general information only. Formulated Solutions LLC (FS) specifically disclaims any design or construction intent of responsibility for their use. The architecture, design and engineering of the project are the responsibility of the project's design professionals.

These drawings are not intended as an exclusive method for achieving a desired outcome or performance. The project design professional, in its sole discretion, determines whether this detail or a functionally equivalent alternative is best suited for the project. This detail is for guidance only and is subject to change without notice.

FS's products are intended for use by qualified professional contractors, not D-I-Y consumers and handymen. FS's products must be specified by a qualified design professional, general contractor or builder as an element of a larger construction project. It must be installed in accordance with FS's instructions, the designer's specifications and local building code.

Improper use of FS's products or use as part of an improperly designed or constructed larger assembly or building may result in serious damage to this product, and to the structure of the building or its components of which it is a part.

Formulated Solutions LLC 25-44 BOROUGH PLACE WOODSIDE, NY 11377 (718) 267-6380 P (718) 204-6013 F [www.tessfinishes.com](http://www.tessfinishes.com)

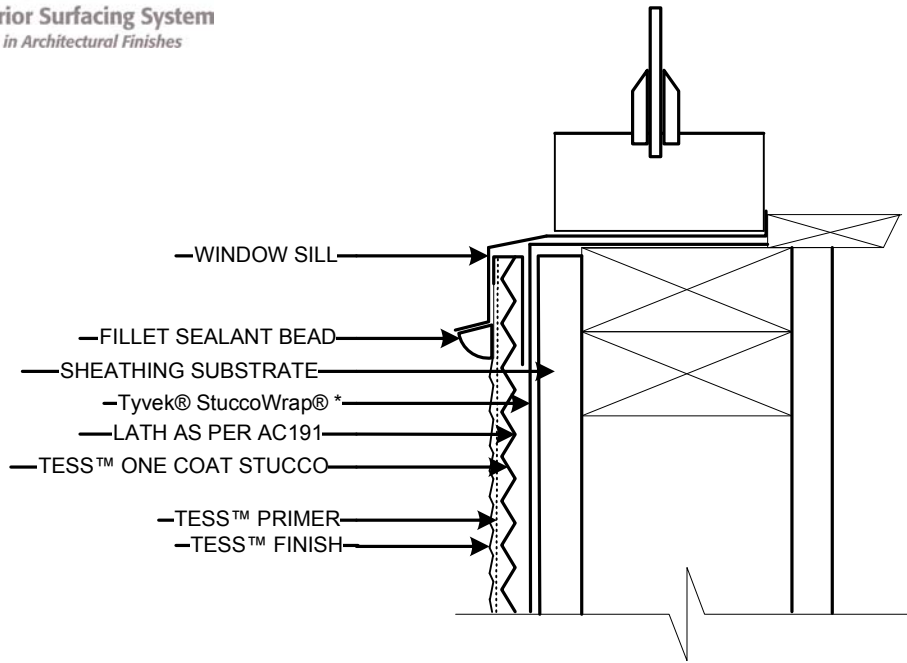
© 2008 Formulated Solutions LLC. TESS™ is a trademark of Formulated Solutions LLC | APPLICATION TYPE ONE COAT STUCCO NO: OCS1001 REV A, UPDATED: 5/5/2009



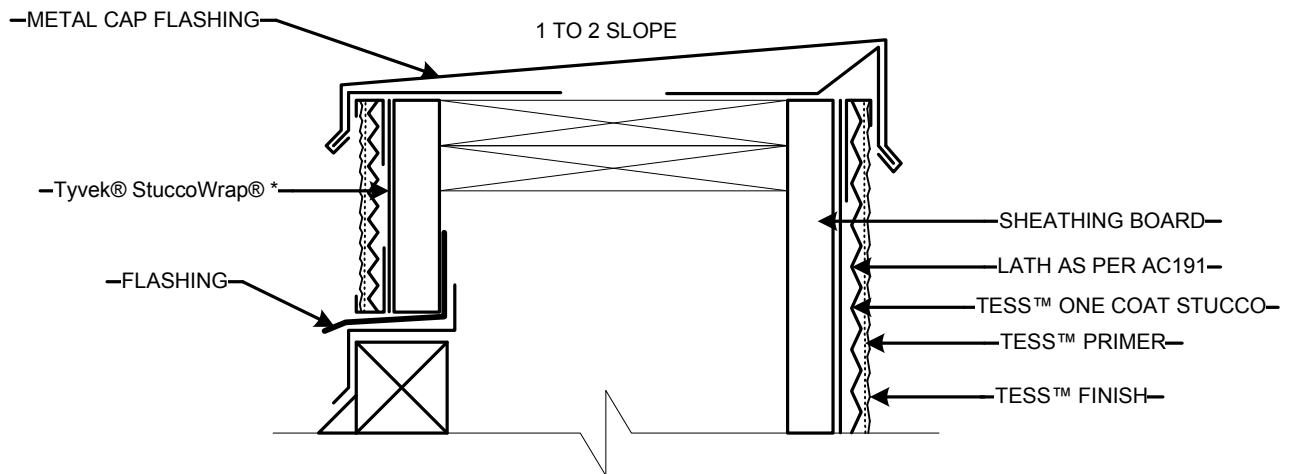
**TESS** Thinset Exterior Surfacing System  
The Next Generation in Architectural Finishes

**TESS™ ONE COAT STUCCO SYSTEM DETAILS**  
**—WINDOW SILL WITH NO INSULATION BOARD—**

**DETAIL 10**



**—WOOD FRAME – DOUBLE FACED PARAPET—**



**\* REFER TO DuPont™ Tyvek® SPECIFICATIONS FOR:  
WEATHER BARRIER COMMERCIAL INSTALLATION GUIDELINES  
AND  
WATER-RESISTIVE BARRIERS INSTALLATION GUIDELINES**

DuPont™, Tyvek® and Tyvek® StuccoWrap® are registered trademarks or trademarks of DuPont or its affiliates.

**NOTICE AND DISCLAIMER:** These drawings and comments are for general information only. Formulated Solutions LLC (FS) specifically disclaims any design or construction intent of responsibility for their use. The architecture, design and engineering of the project are the responsibility of the project's design professionals.

These drawings are not intended as an exclusive method for achieving a desired outcome or performance. The project design professional, in its sole discretion, determines whether this detail or a functionally equivalent alternative is best suited for the project. This detail is for guidance only and is subject to change without notice.

FS's products are intended for use by qualified professional contractors, not D-I-Y consumers and handymen. FS's products must be specified by a qualified design professional, general contractor or builder as an element of a larger construction project. It must be installed in accordance with FS's instructions, the designer's specifications and local building code.

Improper use of FS's products or use as part of an improperly designed or constructed larger assembly or building may result in serious damage to this product, and to the structure of the building or its components of which it is a part.

Formulated Solutions LLC 25-44 BOROUGH PLACE WOODSIDE, NY 11377 (718) 267-6380 P (718) 204-6013 F [www.tessfinishes.com](http://www.tessfinishes.com)

© 2008 Formulated Solutions LLC. TESS™ is a trademark of Formulated Solutions LLC APPLICATION TYPE ONE COAT STUCCO NO: OCS1001 REV A, UPDATED: 5/5/2009

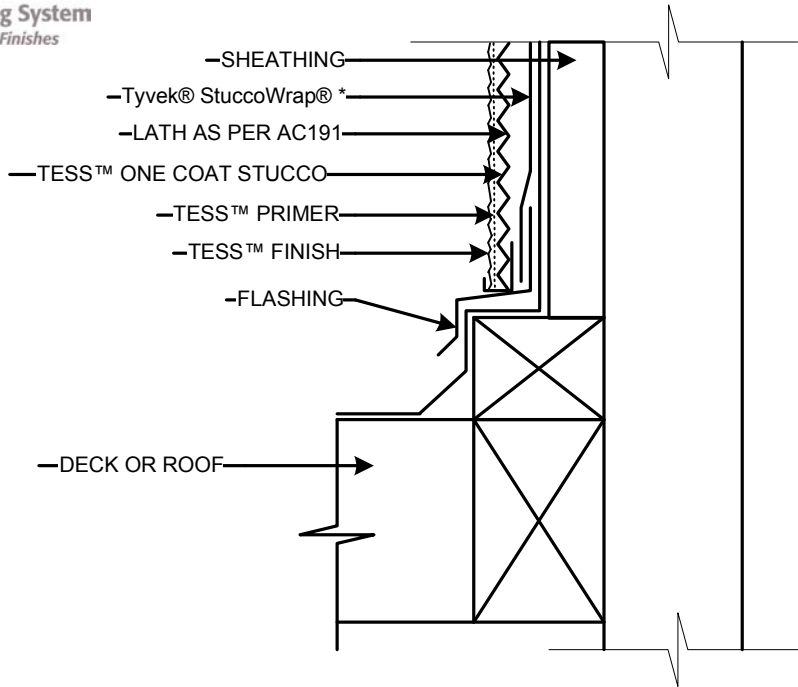


**TESS** Thinset Exterior Surfacing System  
The Next Generation in Architectural Finishes

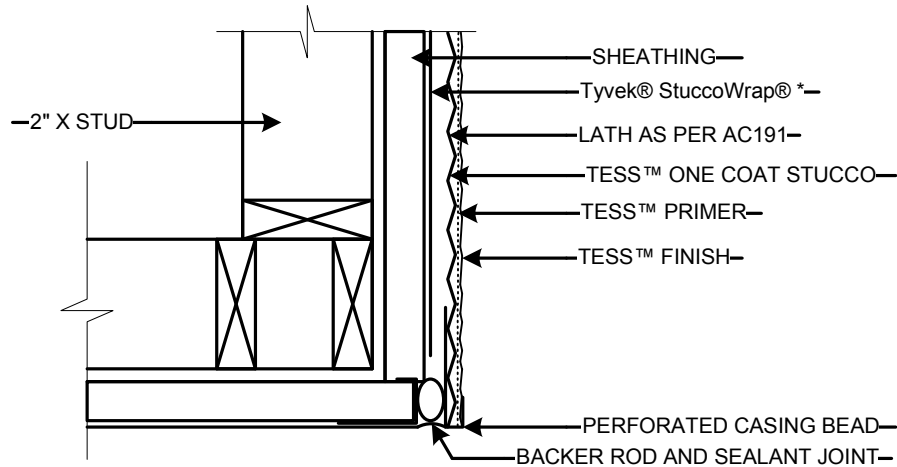
# TESS™ ONE COAT STUCCO SYSTEM DETAILS

## TERMINATION AT GABLE OR DECK FLASHING

**DETAIL 11**



## FASCIA OR SOFFIT JOINT



\* REFER TO DuPont™ Tyvek® SPECIFICATIONS FOR:  
WEATHER BARRIER COMMERCIAL INSTALLATION GUIDELINES  
AND  
WATER-RESISTIVE BARRIERS INSTALLATION GUIDELINES

DuPont™, Tyvek® and Tyvek® StuccoWrap® are registered trademarks or trademarks of DuPont or its affiliates.

**NOTICE AND DISCLAIMER:** These drawings and comments are for general information only. Formulated Solutions LLC (FS) specifically disclaims any design or construction intent of responsibility for their use. The architecture, design and engineering of the project are the responsibility of the project's design professionals.

These drawings are not intended as an exclusive method for achieving a desired outcome or performance. The project design professional, in its sole discretion, determines whether this detail or a functionally equivalent alternative is best suited for the project. This detail is for guidance only and is subject to change without notice.

FS's products are intended for use by qualified professional contractors, not D-I-Y consumers and handymen. FS's products must be specified by a qualified design professional, general contractor or builder as an element of a larger construction project. It must be installed in accordance with FS's instructions, the designer's specifications and local building code.

Improper use of FS's products or use as part of an improperly designed or constructed larger assembly or building may result in serious damage to this product, and to the structure of the building or its components of which it is a part.

Formulated Solutions LLC 25-44 BOROUGH PLACE WOODSIDE, NY 11377 (718) 267-6380 P (718) 204-6013 F [www.tessfinishes.com](http://www.tessfinishes.com)

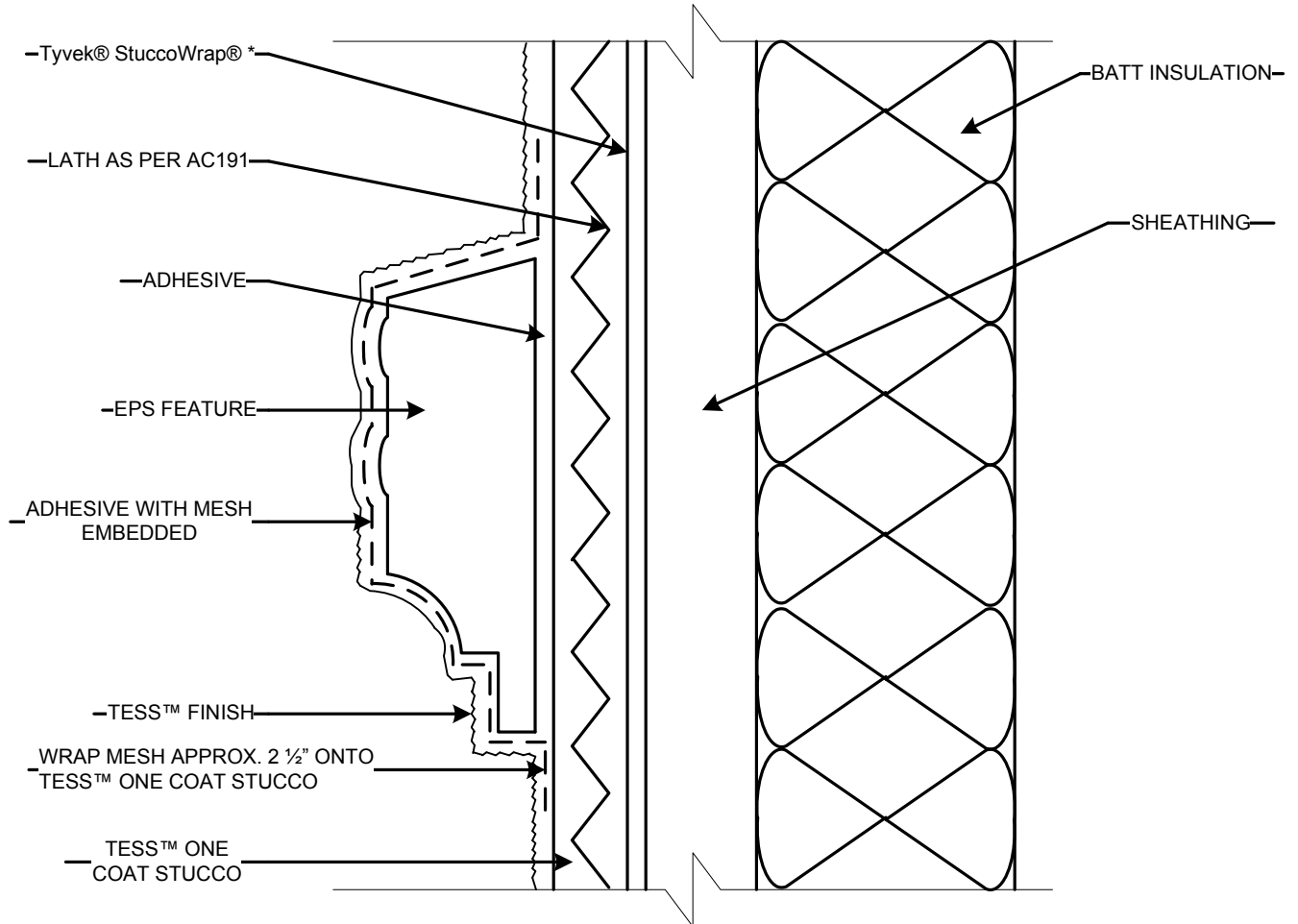
© 2008 Formulated Solutions LLC. TESS™ is a trademark of Formulated Solutions LLC APPLICATION TYPE ONE COAT STUCCO NO: OCS1001 REV A, UPDATED: 5/5/2009



# TESS™ ONE COAT STUCCO SYSTEM DETAILS — FEATHER BASE COAT ONTO TESS ONE COAT —

TESS Thinset Exterior Surfacing System  
The Next Generation in Architectural Finishes

## DETAIL 12



NOTE: WALL CONSTRUCTION SHALL MEET REQUIREMENTS OF LOCAL BUILDING CODE.



\* REFER TO DuPont™ Tyvek® SPECIFICATIONS FOR:  
WEATHER BARRIER COMMERCIAL INSTALLATION GUIDELINES  
AND  
WATER-RESISTIVE BARRIERS INSTALLATION GUIDELINES

DuPont™, Tyvek® and Tyvek® StuccoWrap® are registered trademarks or trademarks of DuPont or its affiliates.

**NOTICE AND DISCLAIMER:** These drawings and comments are for general information only. Formulated Solutions LLC (FS) specifically disclaims any design or construction intent of responsibility for their use. The architecture, design and engineering of the project are the responsibility of the project's design professionals.

These drawings are not intended as an exclusive method for achieving a desired outcome or performance. The project design professional, in its sole discretion, determines whether this detail or a functionally equivalent alternative is best suited for the project. This detail is for guidance only and is subject to change without notice.

FS's products are intended for use by qualified professional contractors, not D-I-Y consumers and handymen. FS's products must be specified by a qualified design professional, general contractor or builder as an element of a larger construction project. It must be installed in accordance with FS's instructions, the designer's specifications and local building code.

Improper use of FS's products or use as part of an improperly designed or constructed larger assembly or building may result in serious damage to this product, and to the structure of the building or its components of which it is a part.

Formulated Solutions LLC 25-44 BOROUGH PLACE WOODSIDE, NY 11377 (718) 267-6380 P (718) 204-6013 F [www.tessfinishes.com](http://www.tessfinishes.com)

© 2008 Formulated Solutions LLC. TESS™ is a trademark of Formulated Solutions LLC APPLICATION TYPE ONE COAT STUCCO NO: OCS1001 REV A, UPDATED: 5/5/2009