

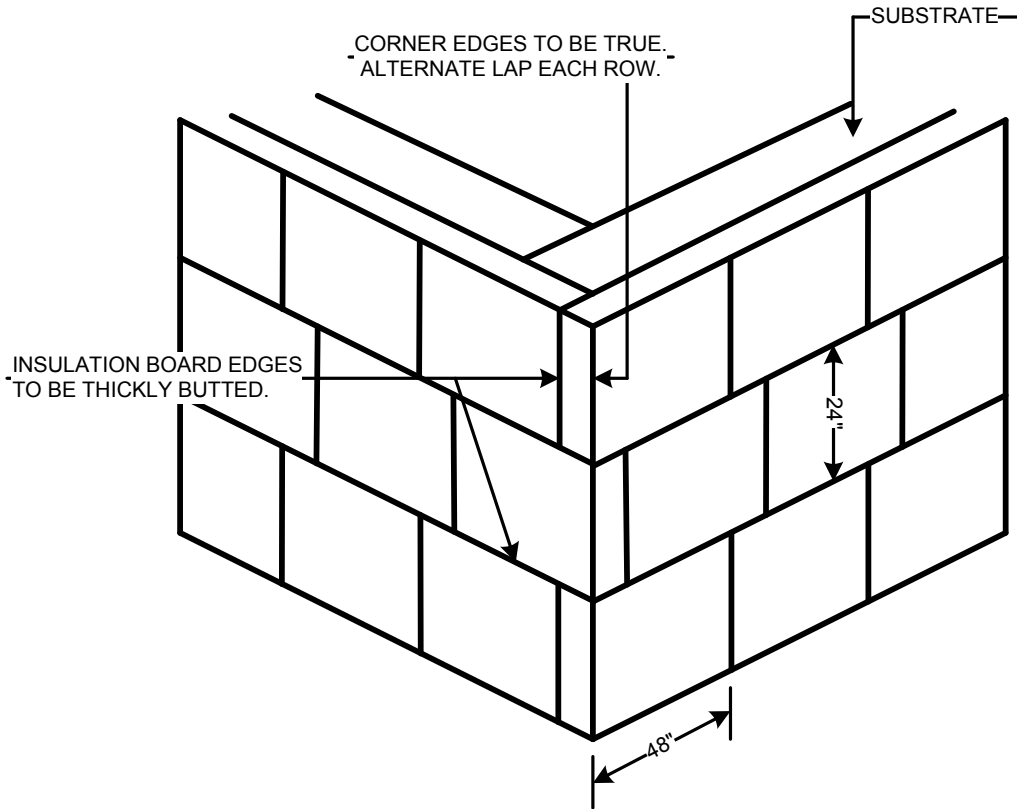


TESS Thinset Exterior Surfacing System
The Next Generation in Architectural Finishes

TESS™ EIFS TYPE APPLICATION SYSTEM DETAILS

EPS INSULATION BOARD LAYOUT

DETAIL 1



NOTICE AND DISCLAIMER: These drawings and comments are for general information only. Formulated Solutions LLC (FS) specifically disclaims any design or construction intent of responsibility for their use. The architecture, design and engineering of the project are the responsibility of the project's design professionals.

These drawings are not intended as an exclusive method for achieving a desired outcome or performance. The project design professional, in its sole discretion, determines whether this detail or a functionally equivalent alternative is best suited for the project. This detail is for guidance only and is subject to change without notice.

FS's products are intended for use by qualified professional contractors, not D-I-Y consumers and handymen. FS's products must be specified by a qualified design professional, general contractor or builder as an element of a larger construction project. It must be installed in accordance with FS's instructions, the designer's specifications and local building code.

Improper use of FS's products or use as part of an improperly designed or constructed larger assembly or building may result in serious damage to this product, and to the structure of the building or its components of which it is a part.

Formulated Solutions LLC 25-44 BOROUGH PLACE WOODSIDE, NY 11377 (718) 267-6380 P (718) 204-6013 F www.tessfinishes.com

© 2008 Formulated Solutions LLC. TESS™ is a trademark of Formulated Solutions LLC

APPLICATION TYPE EIFS NO: EIFS1001 REV: A, UPDATED: 5/5/2009

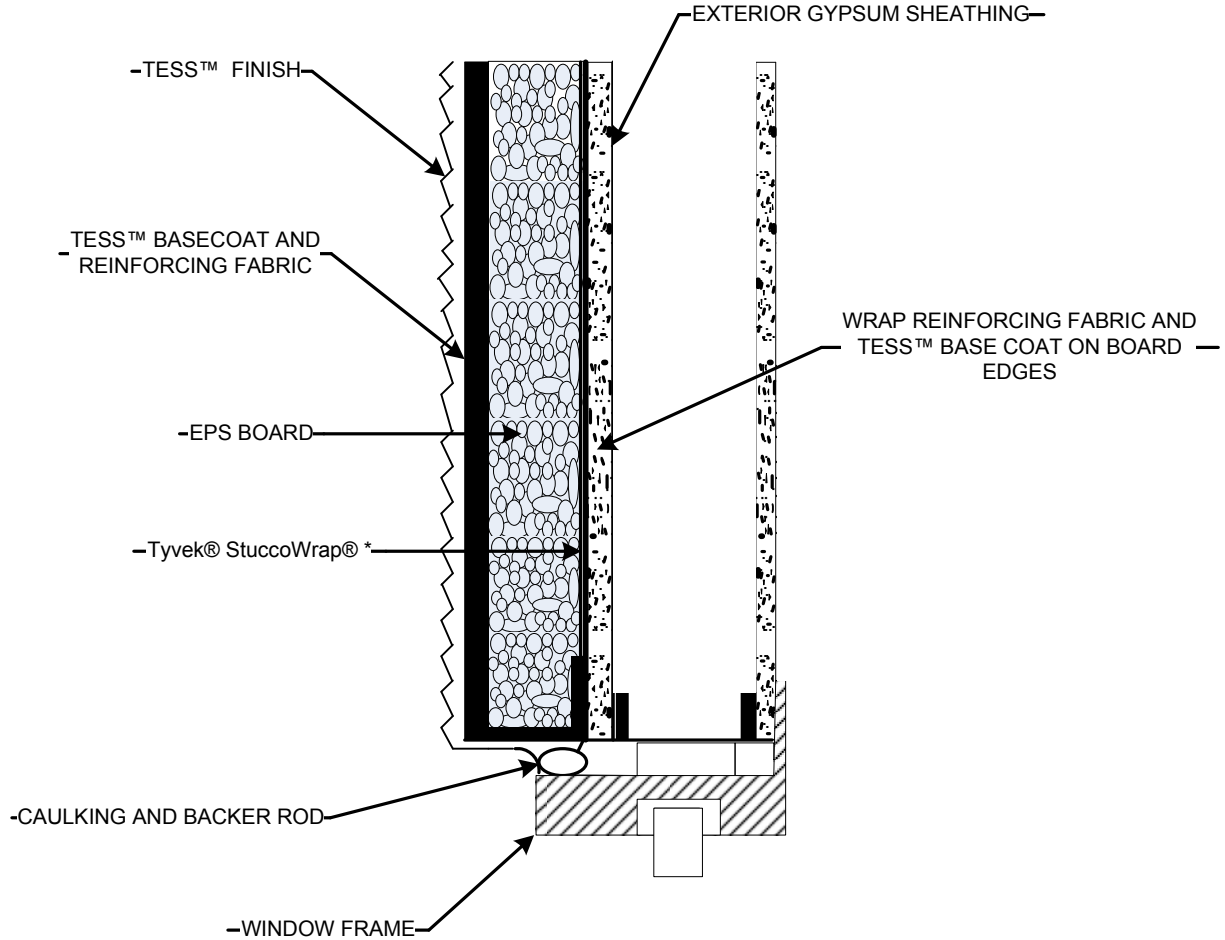


TESS Thinset Exterior Surfacing System
The Next Generation in Architectural Finishes

TESS™ EIFS TYPE APPLICATION SYSTEM DETAILS

HEADERS AND DOOR JAMBS

DETAIL 2



* REFER TO DuPont™ Tyvek® SPECIFICATIONS FOR:
WEATHER BARRIER COMMERCIAL INSTALLATION GUIDELINES
AND
WATER-RESISTIVE BARRIERS INSTALLATION GUIDELINES
DuPont™, Tyvek® and Tyvek® StuccoWrap® are registered trademarks or trademarks of DuPont or its affiliates.

NOTICE AND DISCLAIMER: These drawings and comments are for general information only. Formulated Solutions LLC (FS) specifically disclaims any design or construction intent of responsibility for their use. The architecture, design and engineering of the project are the responsibility of the project's design professionals.

These drawings are not intended as an exclusive method for achieving a desired outcome or performance. The project design professional, in its sole discretion, determines whether this detail or a functionally equivalent alternative is best suited for the project. This detail is for guidance only and is subject to change without notice.

FS's products are intended for use by qualified professional contractors, not D-I-Y consumers and handymen. FS's products must be specified by a qualified design professional, general contractor or builder as an element of a larger construction project. It must be installed in accordance with FS's instructions, the designer's specifications and local building code.

Improper use of FS's products or use as part of an improperly designed or constructed larger assembly or building may result in serious damage to this product, and to the structure of the building or its components of which it is a part.

Formulated Solutions LLC 25-44 BOROUGH PLACE WOODSIDE, NY 11377 (718) 267-6380 P (718) 204-6013 F www.tessfinishes.com

© 2008 Formulated Solutions LLC. TESS™ is a trademark of Formulated Solutions LLC

APPLICATION TYPE EIFS NO: EIFS1001 REV: A, UPDATED: 5/5/2009

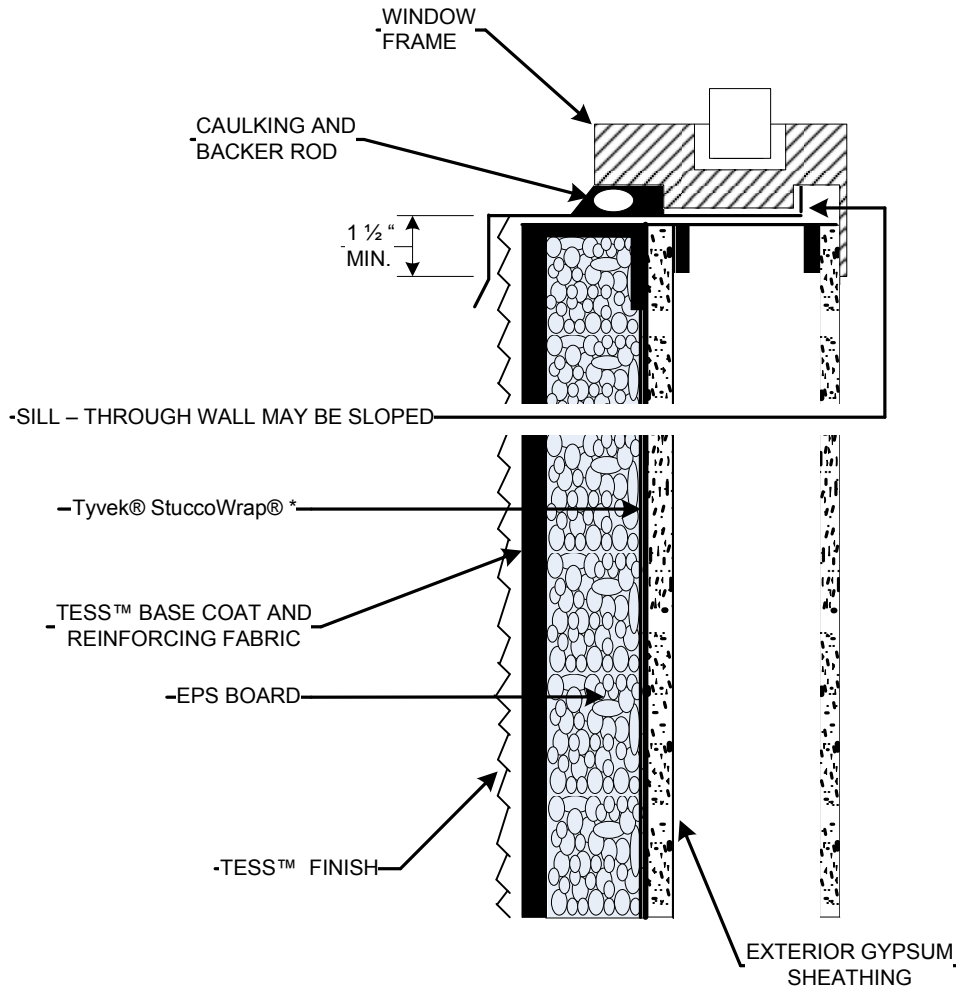


TESS Thinset Exterior Surfacing System
The Next Generation in Architectural Finishes

TESS™ EIFS TYPE APPLICATION SYSTEM DETAILS

WINDOW JAMBS

DETAIL 3



* REFER TO DuPont™ Tyvek® SPECIFICATIONS FOR:
WEATHER BARRIER COMMERCIAL INSTALLATION GUIDELINES
AND
WATER-RESISTIVE BARRIERS INSTALLATION GUIDELINES

DuPont™, Tyvek® and Tyvek® StuccoWrap® are registered trademarks or trademarks of DuPont or its affiliates.

NOTICE AND DISCLAIMER: These drawings and comments are for general information only. Formulated Solutions LLC (FS) specifically disclaims any design or construction intent of responsibility for their use. The architecture, design and engineering of the project are the responsibility of the project's design professionals.

These drawings are not intended as an exclusive method for achieving a desired outcome or performance. The project design professional, in its sole discretion, determines whether this detail or a functionally equivalent alternative is best suited for the project. This detail is for guidance only and is subject to change without notice.

FS's products are intended for use by qualified professional contractors, not D-I-Y consumers and handymen. FS's products must be specified by a qualified design professional, general contractor or builder as an element of a larger construction project. It must be installed in accordance with FS's instructions, the designer's specifications and local building code.

Improper use of FS's products or use as part of an improperly designed or constructed larger assembly or building may result in serious damage to this product, and to the structure of the building or its components of which it is a part.

Formulated Solutions LLC 25-44 BOROUGH PLACE WOODSIDE, NY 11377 (718) 267-6380 P (718) 204-6013 F www.tessfinishes.com

© 2008 Formulated Solutions LLC. TESS™ is a trademark of Formulated Solutions LLC

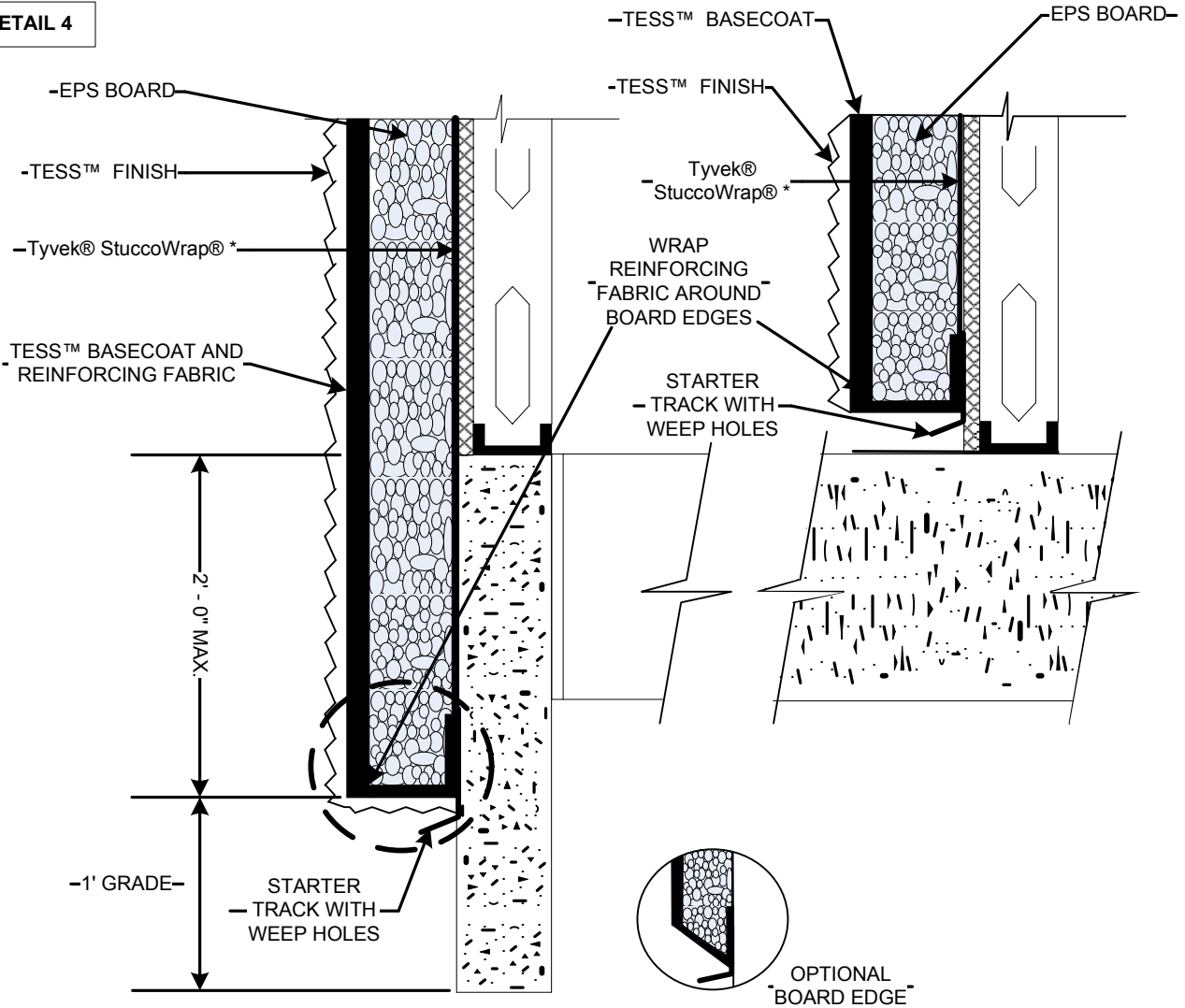
APPLICATION TYPE EIFS NO: EIFS1001 REV: A, UPDATED: 5/5/2009



TESS Thinset Exterior Surfacing System
The Next Generation in Architectural Finishes

TESS™ EIFS TYPE APPLICATION SYSTEM DETAILS FOUNDATIONS

DETAIL 4



* REFER TO DuPont™ Tyvek® SPECIFICATIONS FOR:
WEATHER BARRIER COMMERCIAL INSTALLATION GUIDELINES
AND
WATER-RESISTIVE BARRIERS INSTALLATION GUIDELINES
DuPont™, Tyvek® and Tyvek® StuccoWrap® are registered
trademarks or trademarks of DuPont or its affiliates.

NOTICE AND DISCLAIMER: These drawings and comments are for general information only. Formulated Solutions LLC (FS) specifically disclaims any design or construction intent of responsibility for their use. The architecture, design and engineering of the project are the responsibility of the project's design professionals.

These drawings are not intended as an exclusive method for achieving a desired outcome or performance. The project design professional, in its sole discretion, determines whether this detail or a functionally equivalent alternative is best suited for the project. This detail is for guidance only and is subject to change without notice.

FS's products are intended for use by qualified professional contractors, not D-I-Y consumers and handymen. FS's products must be specified by a qualified design professional, general contractor or builder as an element of a larger construction project. It must be installed in accordance with FS's instructions, the designer's specifications and local building code.

Improper use of FS's products or use as part of an improperly designed or constructed larger assembly or building may result in serious damage to this product, and to the structure of the building or its components of which it is a part.

Formulated Solutions LLC 25-44 BOROUGHS PLACE WOODSIDE, NY 11377 (718) 267-6380 P (718) 204-6013 F www.tessfinishes.com

© 2008 Formulated Solutions LLC. TESS™ is a trademark of Formulated Solutions LLC

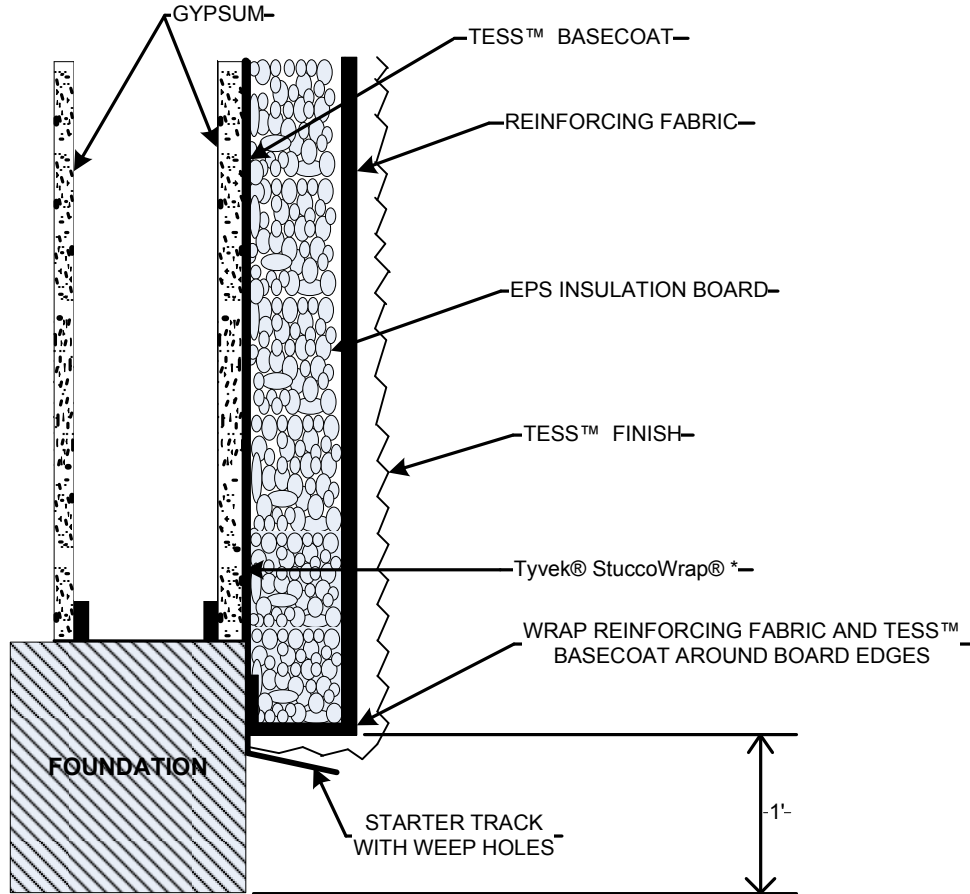
APPLICATION TYPE EIFS NO: EIFS1001 REV: A, UPDATED: 5/5/2009



TESS Thinset Exterior Surfacing System
The Next Generation in Architectural Finishes

TESS™ EIFS TYPE APPLICATION SYSTEM DETAILS WALL STOP

DETAIL 5



* REFER TO DuPont™ Tyvek® SPECIFICATIONS FOR:
WEATHER BARRIER COMMERCIAL INSTALLATION GUIDELINES
AND
WATER-RESISTIVE BARRIERS INSTALLATION GUIDELINES
DuPont™, Tyvek® and Tyvek® StuccoWrap® are registered trademarks or trademarks of DuPont or its affiliates.

NOTICE AND DISCLAIMER: These drawings and comments are for general information only. Formulated Solutions LLC (FS) specifically disclaims any design or construction intent of responsibility for their use. The architecture, design and engineering of the project are the responsibility of the project's design professionals.

These drawings are not intended as an exclusive method for achieving a desired outcome or performance. The project design professional, in its sole discretion, determines whether this detail or a functionally equivalent alternative is best suited for the project. This detail is for guidance only and is subject to change without notice.

FS's products are intended for use by qualified professional contractors, not D-I-Y consumers and handymen. FS's products must be specified by a qualified design professional, general contractor or builder as an element of a larger construction project. It must be installed in accordance with FS's instructions, the designer's specifications and local building code.

Improper use of FS's products or use as part of an improperly designed or constructed larger assembly or building may result in serious damage to this product, and to the structure of the building or its components of which it is a part.

Formulated Solutions LLC 25-44 BOROUGH PLACE WOODSIDE, NY 11377 (718) 267-6380 P (718) 204-6013 F www.tessfinishes.com

© 2008 Formulated Solutions LLC. TESS™ is a trademark of Formulated Solutions LLC

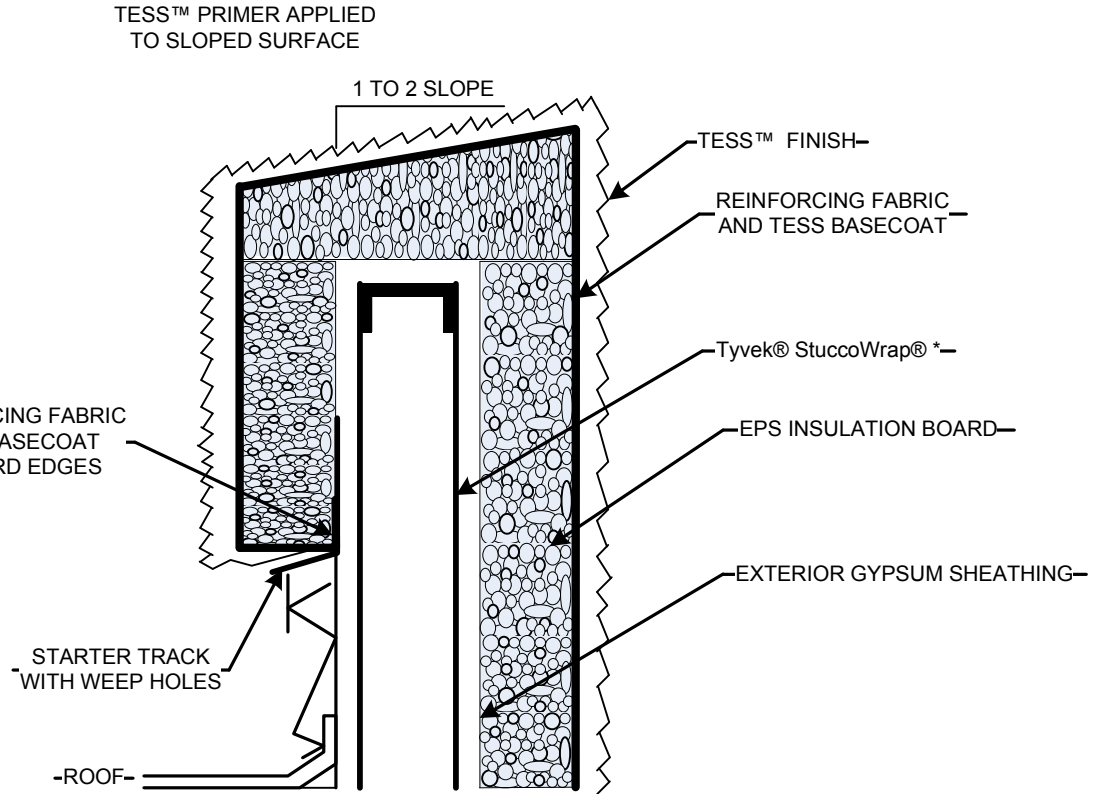
APPLICATION TYPE EIFS NO: EIFS1001 REV: A, UPDATED: 5/5/2009



TESS Thinset Exterior Surfacing System
The Next Generation in Architectural Finishes

TESS™ EIFS TYPE APPLICATION SYSTEM DETAILS PARAPETS

DETAIL 6



* REFER TO DuPont™ Tyvek® SPECIFICATIONS FOR:
WEATHER BARRIER COMMERCIAL INSTALLATION GUIDELINES
AND
WATER-RESISTIVE BARRIERS INSTALLATION GUIDELINES

DuPont™, Tyvek® and Tyvek® StuccoWrap® are registered trademarks or trademarks of DuPont or its affiliates.

NOTICE AND DISCLAIMER: These drawings and comments are for general information only. Formulated Solutions LLC (FS) specifically disclaims any design or construction intent of responsibility for their use. The architecture, design and engineering of the project are the responsibility of the project's design professionals.

These drawings are not intended as an exclusive method for achieving a desired outcome or performance. The project design professional, in its sole discretion, determines whether this detail or a functionally equivalent alternative is best suited for the project. This detail is for guidance only and is subject to change without notice.

FS's products are intended for use by qualified professional contractors, not D-I-Y consumers and handymen. FS's products must be specified by a qualified design professional, general contractor or builder as an element of a larger construction project. It must be installed in accordance with FS's instructions, the designer's specifications and local building code.

Improper use of FS's products or use as part of an improperly designed or constructed larger assembly or building may result in serious damage to this product, and to the structure of the building or its components of which it is a part.

Formulated Solutions LLC 25-44 BOROUGHS PLACE WOODSIDE, NY 11377 (718) 267-6380 P (718) 204-6013 F www.tessfinishes.com

© 2008 Formulated Solutions LLC. TESS™ is a trademark of Formulated Solutions LLC

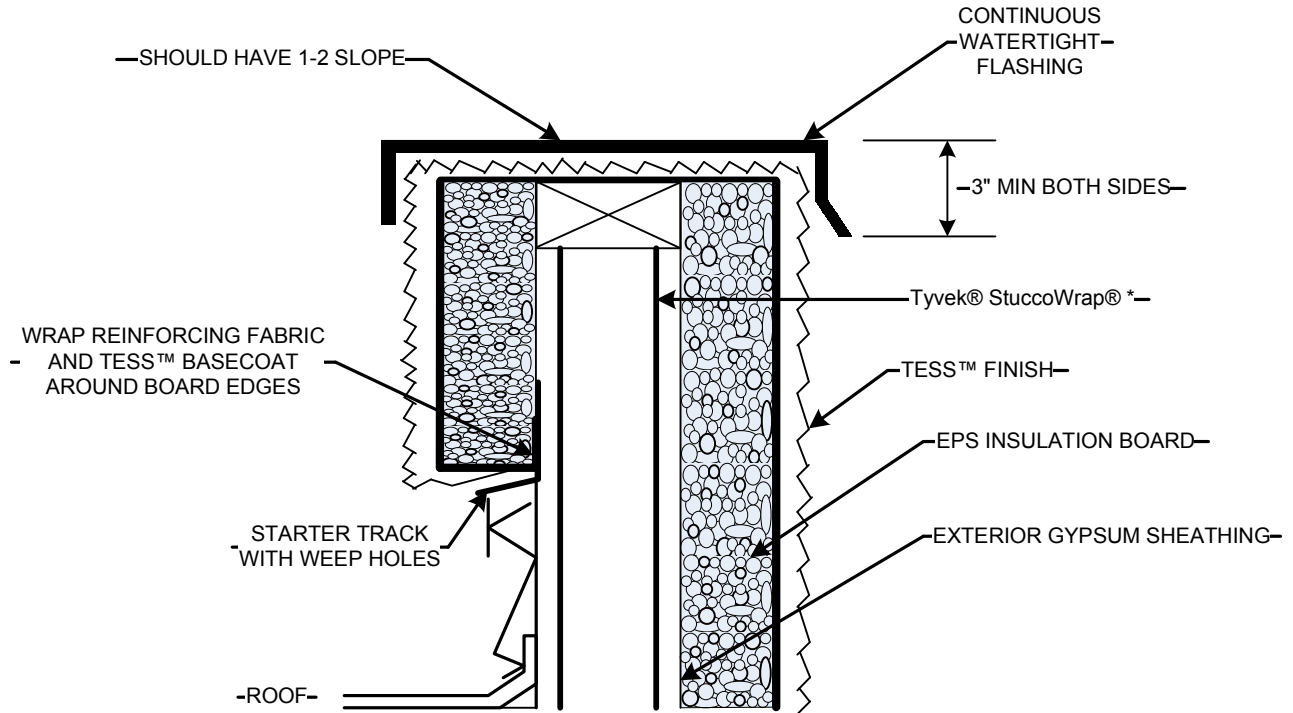
APPLICATION TYPE EIFS NO: EIFS1001 REV: A, UPDATED: 5/5/2009



TESS Thinset Exterior Surfacing System
The Next Generation in Architectural Finishes

TESS™ EIFS TYPE APPLICATION SYSTEM DETAILS PARAPETS

DETAIL 7



* REFER TO DuPont™ Tyvek® SPECIFICATIONS FOR:
WEATHER BARRIER COMMERCIAL INSTALLATION GUIDELINES
AND
WATER-RESISTIVE BARRIERS INSTALLATION GUIDELINES

DuPont™, Tyvek® and Tyvek® StuccoWrap® are registered trademarks or trademarks of DuPont or its affiliates.

NOTICE AND DISCLAIMER: These drawings and comments are for general information only. Formulated Solutions LLC (FS) specifically disclaims any design or construction intent of responsibility for their use. The architecture, design and engineering of the project are the responsibility of the project's design professionals.

These drawings are not intended as an exclusive method for achieving a desired outcome or performance. The project design professional, in its sole discretion, determines whether this detail or a functionally equivalent alternative is best suited for the project. This detail is for guidance only and is subject to change without notice.

FS's products are intended for use by qualified professional contractors, not D-I-Y consumers and handymen. FS's products must be specified by a qualified design professional, general contractor or builder as an element of a larger construction project. It must be installed in accordance with FS's instructions, the designer's specifications and local building code.

Improper use of FS's products or use as part of an improperly designed or constructed larger assembly or building may result in serious damage to this product, and to the structure of the building or its components of which it is a part.

Formulated Solutions LLC 25-44 BOROUGH PLACE WOODSIDE, NY 11377 (718) 267-6380 P (718) 204-6013 F www.tessfinishes.com

© 2008 Formulated Solutions LLC. TESS™ is a trademark of Formulated Solutions LLC

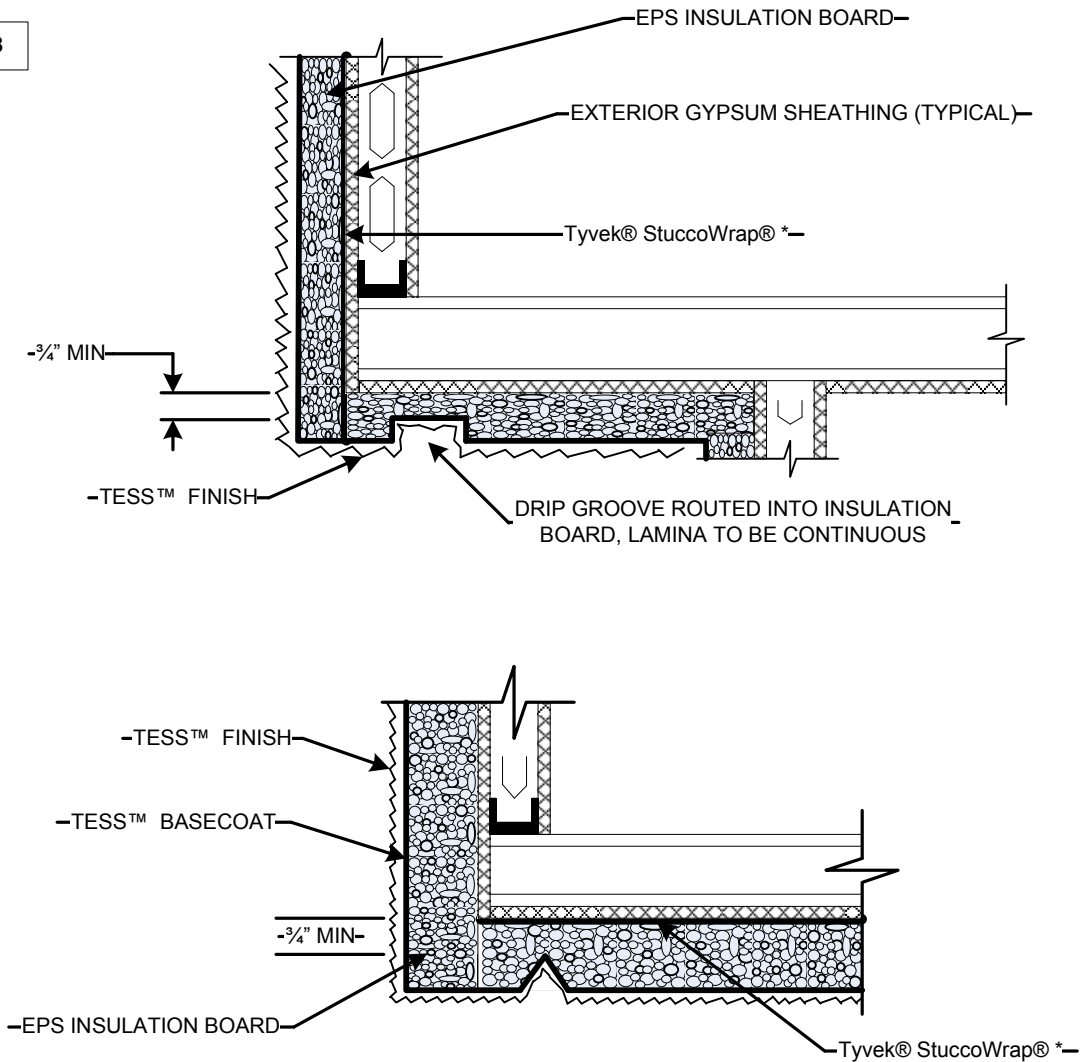
APPLICATION TYPE EIFS NO: EIFS1001 REV: A, UPDATED: 5/5/2009



TESS Thinset Exterior Surfacing System
The Next Generation in Architectural Finishes

TESS™ EIFS TYPE APPLICATION SYSTEM DETAILS SOFFITS

DETAIL 8



* REFER TO DuPont™ Tyvek® SPECIFICATIONS FOR:
WEATHER BARRIER COMMERCIAL INSTALLATION GUIDELINES
AND
WATER-RESISTIVE BARRIERS INSTALLATION GUIDELINES
DuPont™, Tyvek® and Tyvek® StuccoWrap® are registered trademarks or trademarks of DuPont or its affiliates.

NOTICE AND DISCLAIMER: These drawings and comments are for general information only. Formulated Solutions LLC (FS) specifically disclaims any design or construction intent of responsibility for their use. The architecture, design and engineering of the project are the responsibility of the project's design professionals.

These drawings are not intended as an exclusive method for achieving a desired outcome or performance. The project design professional, in its sole discretion, determines whether this detail or a functionally equivalent alternative is best suited for the project. This detail is for guidance only and is subject to change without notice.

FS's products are intended for use by qualified professional contractors, not D-I-Y consumers and handymen. FS's products must be specified by a qualified design professional, general contractor or builder as an element of a larger construction project. It must be installed in accordance with FS's instructions, the designer's specifications and local building code.

Improper use of FS's products or use as part of an improperly designed or constructed larger assembly or building may result in serious damage to this product, and to the structure of the building or its components of which it is a part.

Formulated Solutions LLC 25-44 BOROUGH PLACE WOODSIDE, NY 11377 (718) 267-6380 P (718) 204-6013 F www.tessfinishes.com

© 2008 Formulated Solutions LLC. TESS™ is a trademark of Formulated Solutions LLC

APPLICATION TYPE EIFS NO: EIFS1001 REV: A, UPDATED: 5/5/2009

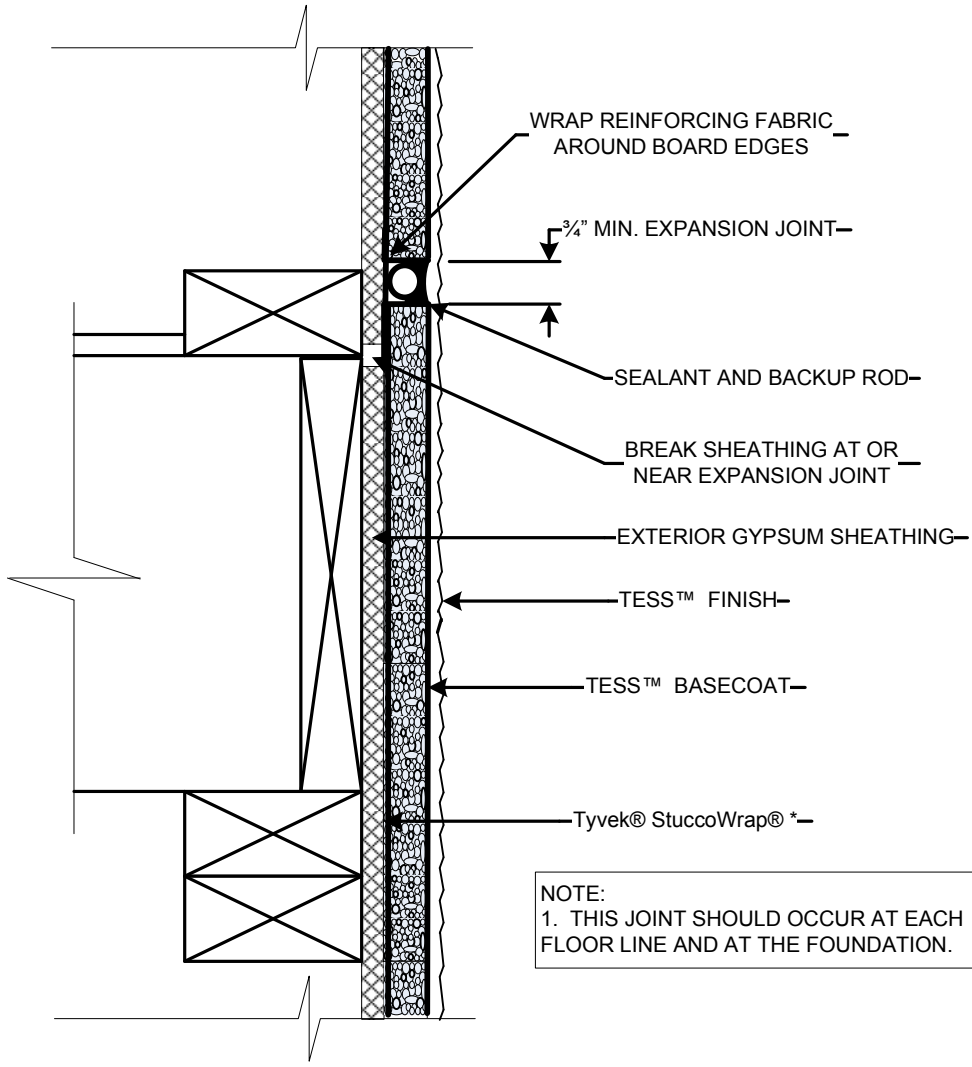


TESS Thinset Exterior Surfacing System
The Next Generation in Architectural Finishes

TESS™ EIFS TYPE APPLICATION SYSTEM DETAILS

WOOD FRAME CONSTRUCTION

DETAIL 9



NOTE:
1. THIS JOINT SHOULD OCCUR AT EACH FLOOR LINE AND AT THE FOUNDATION.



* REFER TO DuPont™ Tyvek® SPECIFICATIONS FOR:
WEATHER BARRIER COMMERCIAL INSTALLATION GUIDELINES
AND
WATER-RESISTIVE BARRIERS INSTALLATION GUIDELINES
DuPont™, Tyvek® and Tyvek® StuccoWrap® are registered trademarks or trademarks of DuPont or its affiliates.

NOTICE AND DISCLAIMER: These drawings and comments are for general information only. Formulated Solutions LLC (FS) specifically disclaims any design or construction intent of responsibility for their use. The architecture, design and engineering of the project are the responsibility of the project's design professionals.

These drawings are not intended as an exclusive method for achieving a desired outcome or performance. The project design professional, in its sole discretion, determines whether this detail or a functionally equivalent alternative is best suited for the project. This detail is for guidance only and is subject to change without notice.

FS's products are intended for use by qualified professional contractors, not D-I-Y consumers and handymen. FS's products must be specified by a qualified design professional, general contractor or builder as an element of a larger construction project. It must be installed in accordance with FS's instructions, the designer's specifications and local building code.

Improper use of FS's products or use as part of an improperly designed or constructed larger assembly or building may result in serious damage to this product, and to the structure of the building or its components of which it is a part.

Formulated Solutions LLC 25-44 BOROUGH PLACE WOODSIDE, NY 11377 (718) 267-6380 P (718) 204-6013 F www.tessfinishes.com

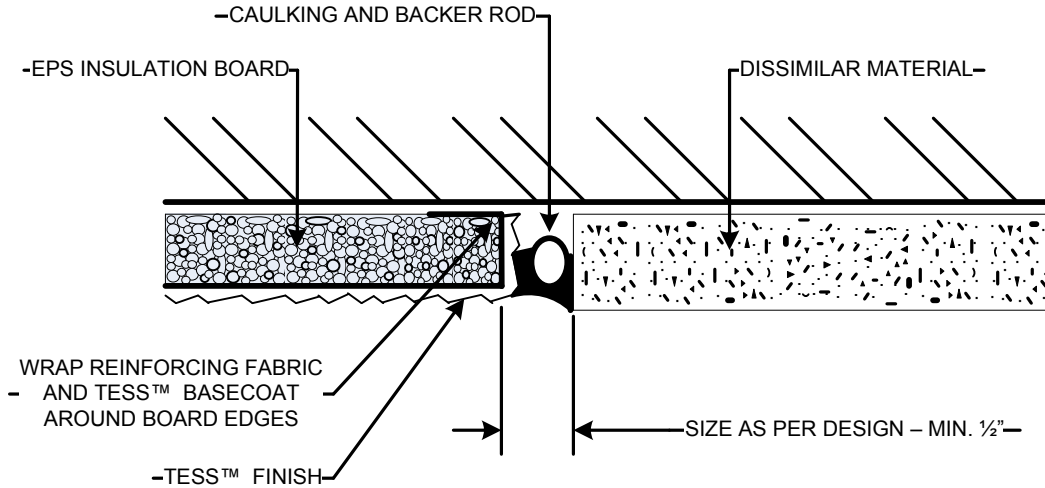


TESS Thinset Exterior Surfacing System
The Next Generation in Architectural Finishes

TESS™ EIFS TYPE APPLICATION SYSTEM DETAILS

ABUTTING DISSIMILAR MATERIALS

DETAIL 10



NOTICE AND DISCLAIMER: These drawings and comments are for general information only. Formulated Solutions LLC (FS) specifically disclaims any design or construction intent of responsibility for their use. The architecture, design and engineering of the project are the responsibility of the project's design professionals.

These drawings are not intended as an exclusive method for achieving a desired outcome or performance. The project design professional, in its sole discretion, determines whether this detail or a functionally equivalent alternative is best suited for the project. This detail is for guidance only and is subject to change without notice.

FS's products are intended for use by qualified professional contractors, not D-I-Y consumers and handymen. FS's products must be specified by a qualified design professional, general contractor or builder as an element of a larger construction project. It must be installed in accordance with FS's instructions, the designer's specifications and local building code.

Improper use of FS's products or use as part of an improperly designed or constructed larger assembly or building may result in serious damage to this product, and to the structure of the building or its components of which it is a part.

Formulated Solutions LLC 25-44 BOROUGH PLACE WOODSIDE, NY 11377 (718) 267-6380 P (718) 204-6013 F www.tessfinishes.com

© 2008 Formulated Solutions LLC. TESS™ is a trademark of Formulated Solutions LLC

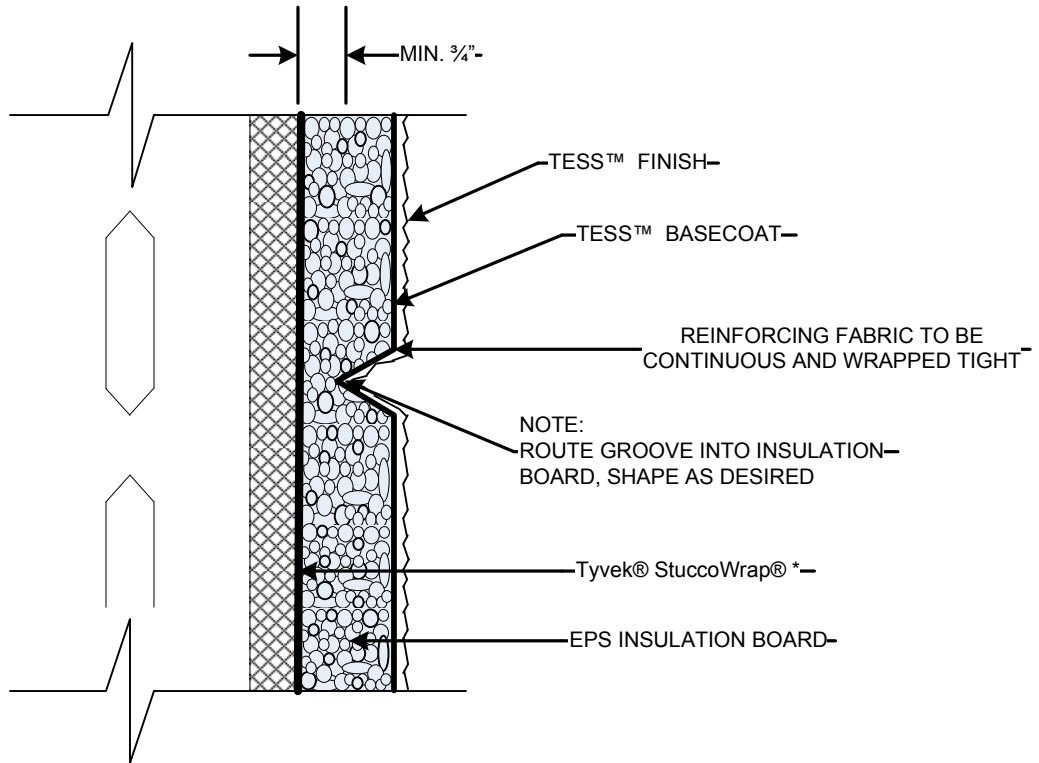
APPLICATION TYPE EIFS NO: EIFS1001 REV: A, UPDATED: 5/5/2009



TESS Thinset Exterior Surfacing System
The Next Generation in Architectural Finishes

TESS™ EIFS TYPE APPLICATION SYSTEM DETAILS V-JOINTS

DETAIL 11



* REFER TO DuPont™ Tyvek® SPECIFICATIONS FOR:
WEATHER BARRIER COMMERCIAL INSTALLATION GUIDELINES
AND
WATER-RESISTIVE BARRIERS INSTALLATION GUIDELINES
DuPont™, Tyvek® and Tyvek® StuccoWrap® are registered trademarks or trademarks of DuPont or its affiliates.

NOTICE AND DISCLAIMER: These drawings and comments are for general information only. Formulated Solutions LLC (FS) specifically disclaims any design or construction intent of responsibility for their use. The architecture, design and engineering of the project are the responsibility of the project's design professionals.

These drawings are not intended as an exclusive method for achieving a desired outcome or performance. The project design professional, in its sole discretion, determines whether this detail or a functionally equivalent alternative is best suited for the project. This detail is for guidance only and is subject to change without notice.

FS's products are intended for use by qualified professional contractors, not D-I-Y consumers and handymen. FS's products must be specified by a qualified design professional, general contractor or builder as an element of a larger construction project. It must be installed in accordance with FS's instructions, the designer's specifications and local building code.

Improper use of FS's products or use as part of an improperly designed or constructed larger assembly or building may result in serious damage to this product, and to the structure of the building or its components of which it is a part.

Formulated Solutions LLC 25-44 BOROUGH PLACE WOODSIDE, NY 11377 (718) 267-6380 P (718) 204-6013 F www.tessfinishes.com

© 2008 Formulated Solutions LLC. TESS™ is a trademark of Formulated Solutions LLC

APPLICATION TYPE EIFS NO: EIFS1001 REV: A, UPDATED: 5/5/2009

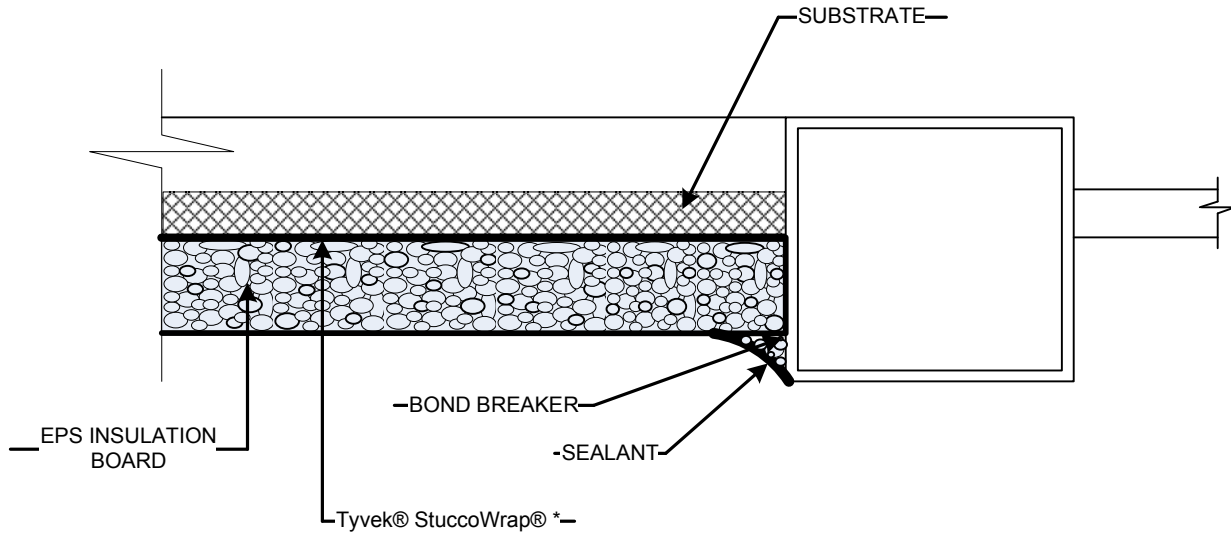


TESS Thinset Exterior Surfacing System
The Next Generation in Architectural Finishes

TESS™ EIFS TYPE APPLICATION SYSTEM DETAILS

INSIDE CORNER CAULK

DETAIL 12



* REFER TO DuPont™ Tyvek® SPECIFICATIONS FOR:
WEATHER BARRIER COMMERCIAL INSTALLATION GUIDELINES
AND
WATER-RESISTIVE BARRIERS INSTALLATION GUIDELINES

DuPont™, Tyvek® and Tyvek® StuccoWrap® are registered trademarks or trademarks of DuPont or its affiliates.

NOTICE AND DISCLAIMER: These drawings and comments are for general information only. Formulated Solutions LLC (FS) specifically disclaims any design or construction intent of responsibility for their use. The architecture, design and engineering of the project are the responsibility of the project's design professionals.

These drawings are not intended as an exclusive method for achieving a desired outcome or performance. The project design professional, in its sole discretion, determines whether this detail or a functionally equivalent alternative is best suited for the project. This detail is for guidance only and is subject to change without notice.

FS's products are intended for use by qualified professional contractors, not D-I-Y consumers and handymen. FS's products must be specified by a qualified design professional, general contractor or builder as an element of a larger construction project. It must be installed in accordance with FS's instructions, the designer's specifications and local building code.

Improper use of FS's products or use as part of an improperly designed or constructed larger assembly or building may result in serious damage to this product, and to the structure of the building or its components of which it is a part.

Formulated Solutions LLC 25-44 BOROUGH PLACE WOODSIDE, NY 11377 (718) 267-6380 P (718) 204-6013 F www.tessfinishes.com

© 2008 Formulated Solutions LLC. TESS™ is a trademark of Formulated Solutions LLC

APPLICATION TYPE EIFS NO: EIFS1001 REV: A, UPDATED: 5/5/2009

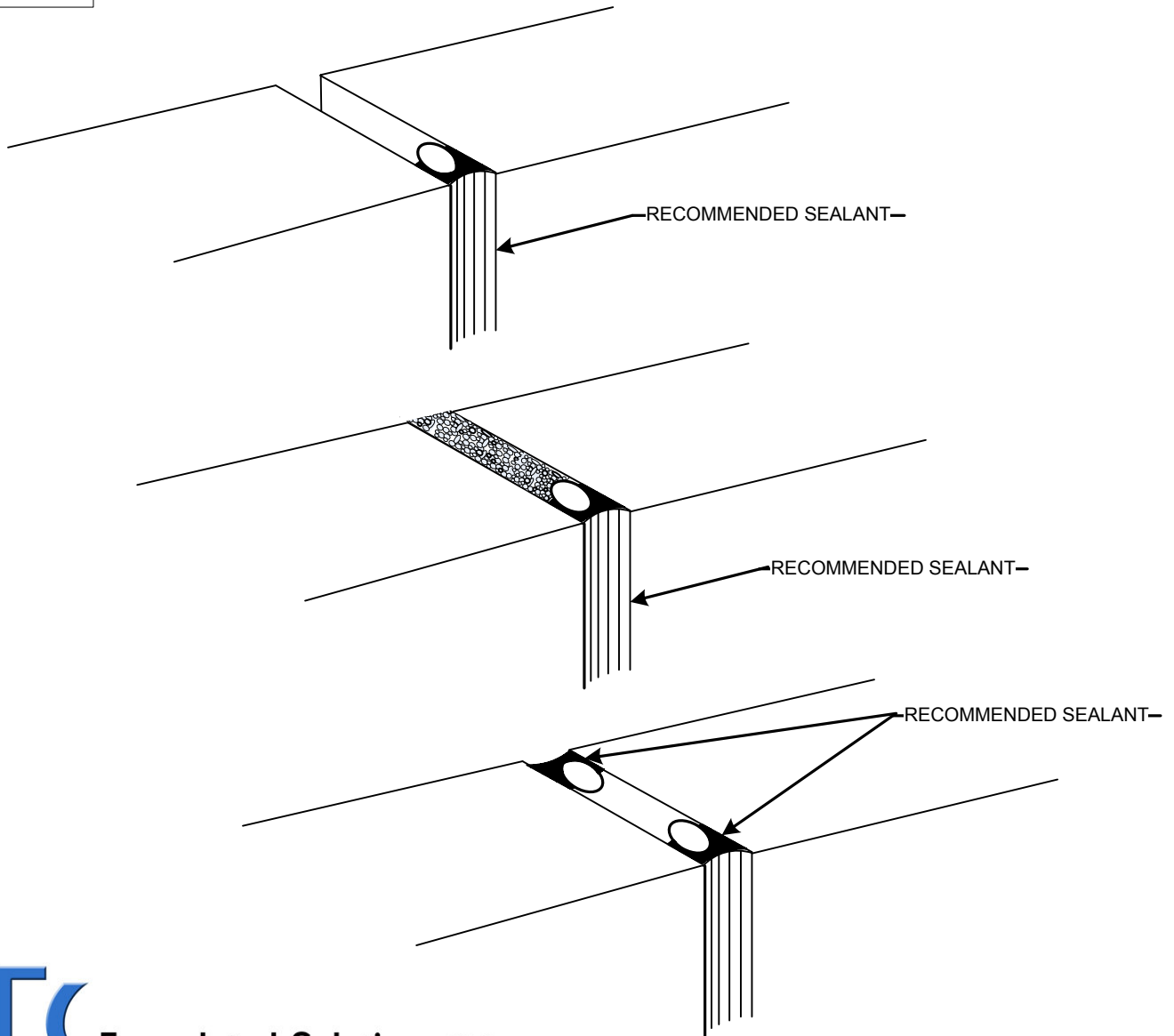


TESS Thinset Exterior Surfacing System
The Next Generation in Architectural Finishes

TESS™ EIFS TYPE APPLICATION SYSTEM DETAILS

CAULK JOINTS

DETAIL 13



NOTICE AND DISCLAIMER: These drawings and comments are for general information only. Formulated Solutions LLC (FS) specifically disclaims any design or construction intent of responsibility for their use. The architecture, design and engineering of the project are the responsibility of the project's design professionals.

These drawings are not intended as an exclusive method for achieving a desired outcome or performance. The project design professional, in its sole discretion, determines whether this detail or a functionally equivalent alternative is best suited for the project. This detail is for guidance only and is subject to change without notice.

FS's products are intended for use by qualified professional contractors, not D-I-Y consumers and handymen. FS's products must be specified by a qualified design professional, general contractor or builder as an element of a larger construction project. It must be installed in accordance with FS's instructions, the designer's specifications and local building code.

Improper use of FS's products or use as part of an improperly designed or constructed larger assembly or building may result in serious damage to this product, and to the structure of the building or its components of which it is a part.

Formulated Solutions LLC 25-44 BOROUGH PLACE WOODSIDE, NY 11377 (718) 267-6380 P (718) 204-6013 F www.tessfinishes.com

© 2008 Formulated Solutions LLC. TESS™ is a trademark of Formulated Solutions LLC

APPLICATION TYPE EIFS NO: EIFS1001 REV: A, UPDATED: 5/5/2009

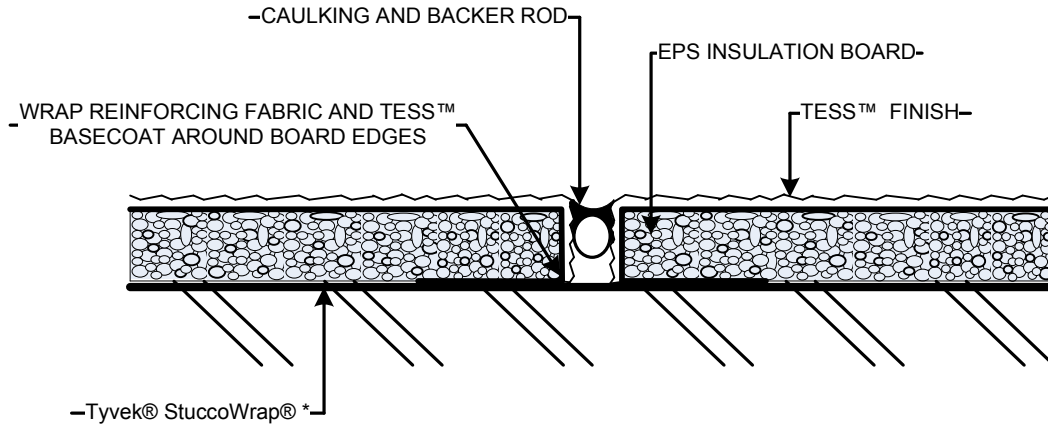


TESS Thinset Exterior Surfacing System
The Next Generation in Architectural Finishes

TESS™ EIFS TYPE APPLICATION SYSTEM DETAILS

EXPANSION JOINTS

DETAIL 14



* REFER TO DuPont™ Tyvek® SPECIFICATIONS FOR:
WEATHER BARRIER COMMERCIAL INSTALLATION GUIDELINES
AND
WATER-RESISTIVE BARRIERS INSTALLATION GUIDELINES

DuPont™, Tyvek® and Tyvek® StuccoWrap® are registered trademarks or trademarks of DuPont or its affiliates.

NOTICE AND DISCLAIMER: These drawings and comments are for general information only. Formulated Solutions LLC (FS) specifically disclaims any design or construction intent of responsibility for their use. The architecture, design and engineering of the project are the responsibility of the project's design professionals.

These drawings are not intended as an exclusive method for achieving a desired outcome or performance. The project design professional, in its sole discretion, determines whether this detail or a functionally equivalent alternative is best suited for the project. This detail is for guidance only and is subject to change without notice.

FS's products are intended for use by qualified professional contractors, not D-I-Y consumers and handymen. FS's products must be specified by a qualified design professional, general contractor or builder as an element of a larger construction project. It must be installed in accordance with FS's instructions, the designer's specifications and local building code.

Improper use of FS's products or use as part of an improperly designed or constructed larger assembly or building may result in serious damage to this product, and to the structure of the building or its components of which it is a part.

Formulated Solutions LLC 25-44 BOROUGH PLACE WOODSIDE, NY 11377 (718) 267-6380 P (718) 204-6013 F www.tessfinishes.com

© 2008 Formulated Solutions LLC. TESS™ is a trademark of Formulated Solutions LLC

APPLICATION TYPE EIFS NO: EIFS1001 REV: A, UPDATED: 5/5/2009